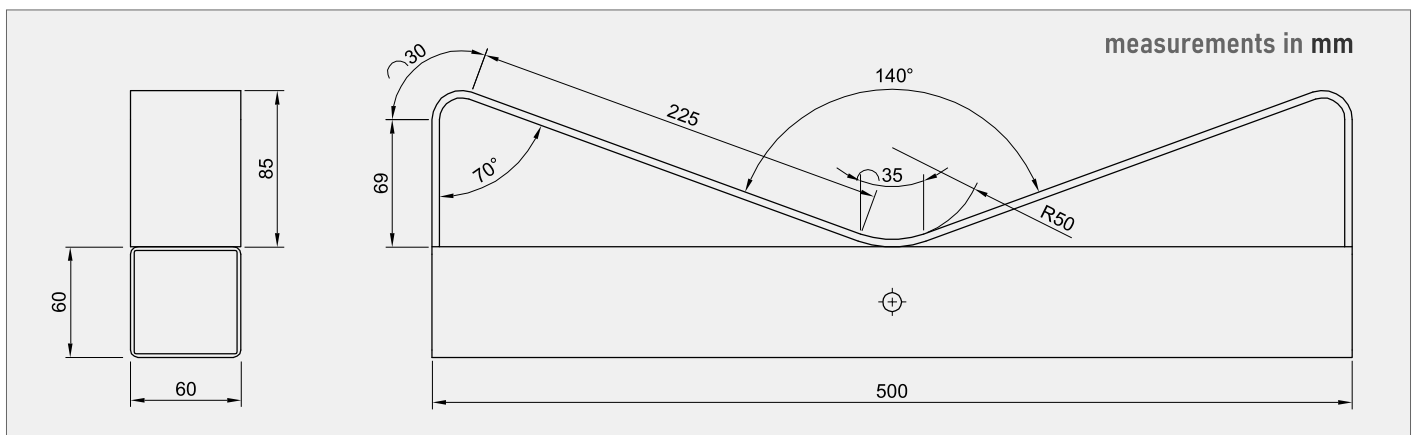
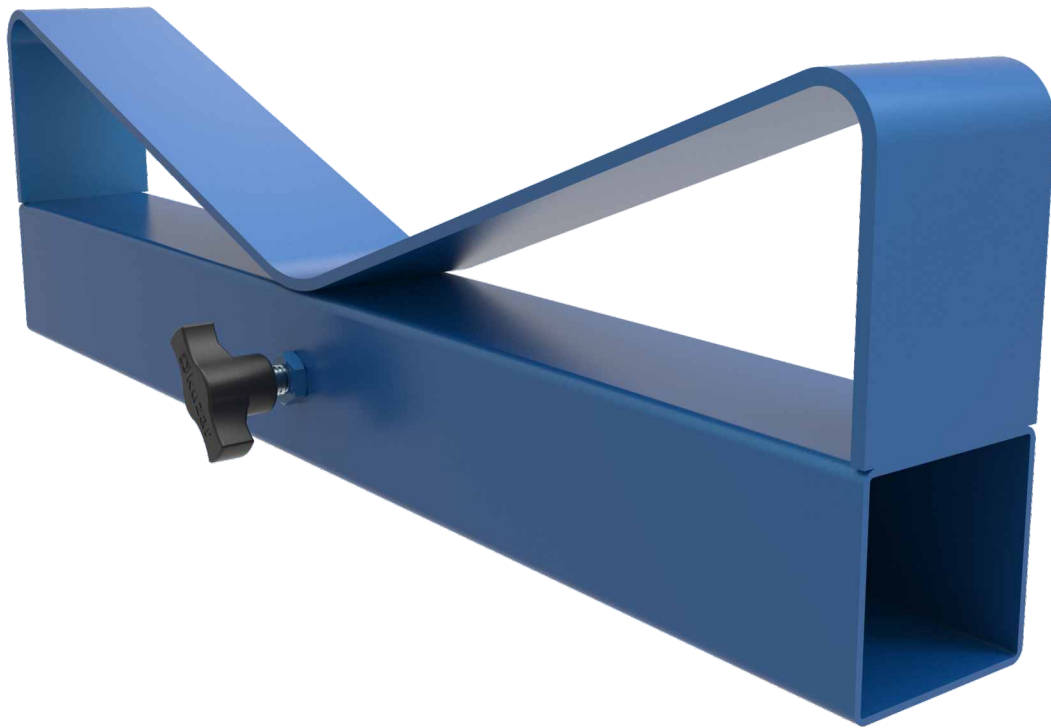


ACCESORIO CARGA FRONTAL / FRONT LOAD ACCESSORY

200/300 kg

FOR HAMMER 40/50/56/CW-56/73/CW-73 LIFTERS



**Weight: 3.5kg (7.7lb)**

**Material: 4mm sturdy steel and finished with a double layer of a textured, anti-scratch powder paint (EPOXY) making them more durable for outdoor use.**

The PCR-1 is quickly and easily fitted onto the forks (no tools required).