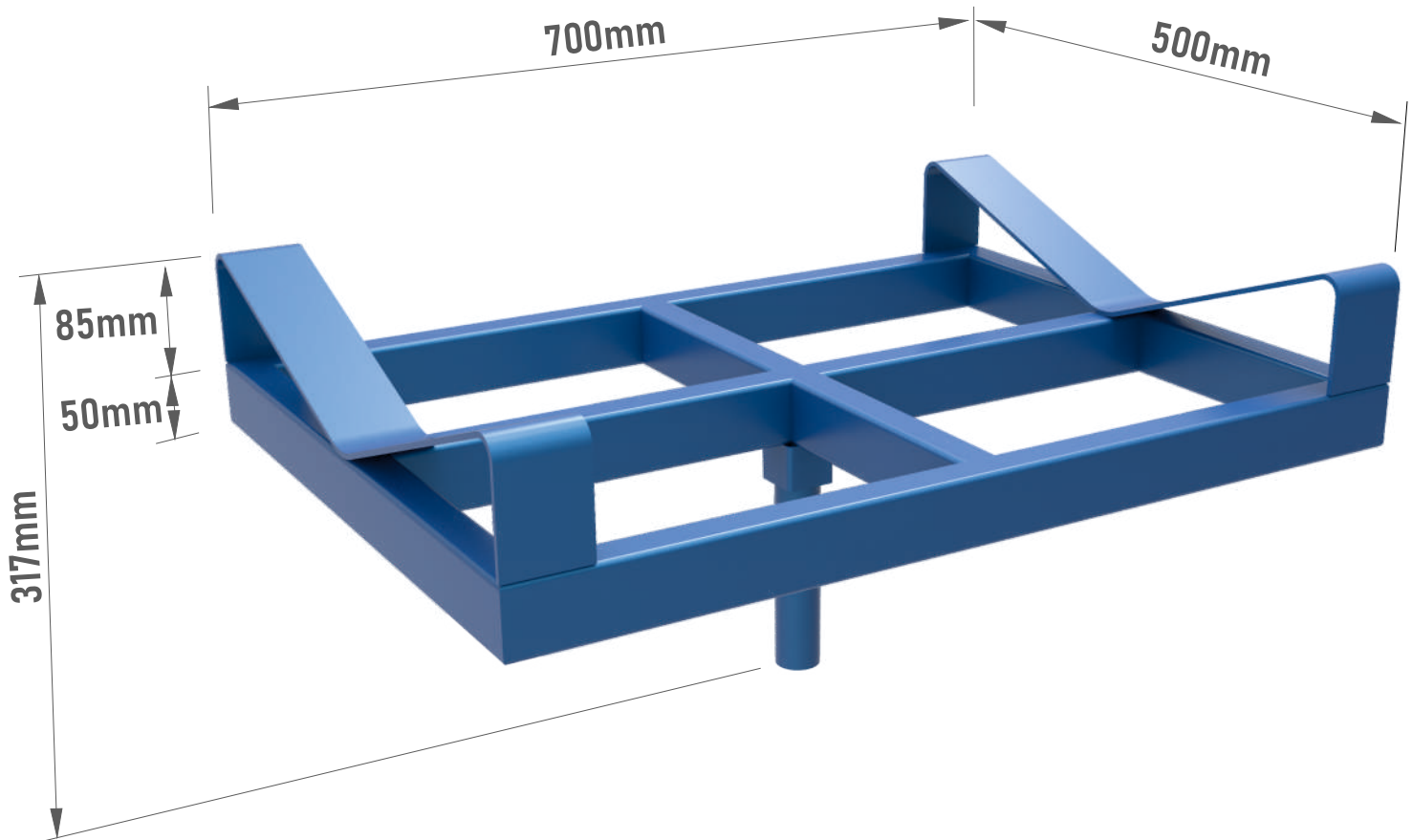


ACCESORIO CARGA SUPERIOR / TOP LOAD ACCESSORY

125 kg

FOR HAMMER 10 LIFTER



Weight / Peso: 10kg (22lbs)

Material: 2 and 3mm sturdy steel and finished with a double layer of a textured, anti-scratch powder paint (EPOXY) making them more durable for outdoor use.

Material: acero de 2 y 3mm terminado en pintura azul epoxy al horno, más duradera y resistente a exteriores.

The PTR-B is quickly and easily fitted onto the lifter (no tools required).

Fácil de insertar en la torre sin necesidad de herramientas.