



### Features

- New entry level model from Bronto's XDT modular design family
- Easy to use straight telescopic boom with fixed cage boom
- Rigid profile design and high tensile steel for superior boom stiffness
- Geometric outreach control for virtually zero tolerance
- Energy chain cartridge system for fast and easy maintenance inside the boom
- Mounted onto 4x2 or 4x4 18 tonnes chassis
- Zero tail swing
- Automatic outrigger levelling

- Fully variable outrigger jacking
- Variable cage load with optimised outreach
- 2 x 90 degrees cage slewing
- SWL of 700 kg
- Fault finding system

### Optional items

- Boom and cage winch options
- Changeable working cage options (e.g. rotating TV camera cage)
- Over 200 other custom features optionally available
- GSM telecontrol for fault finding and remote calibration



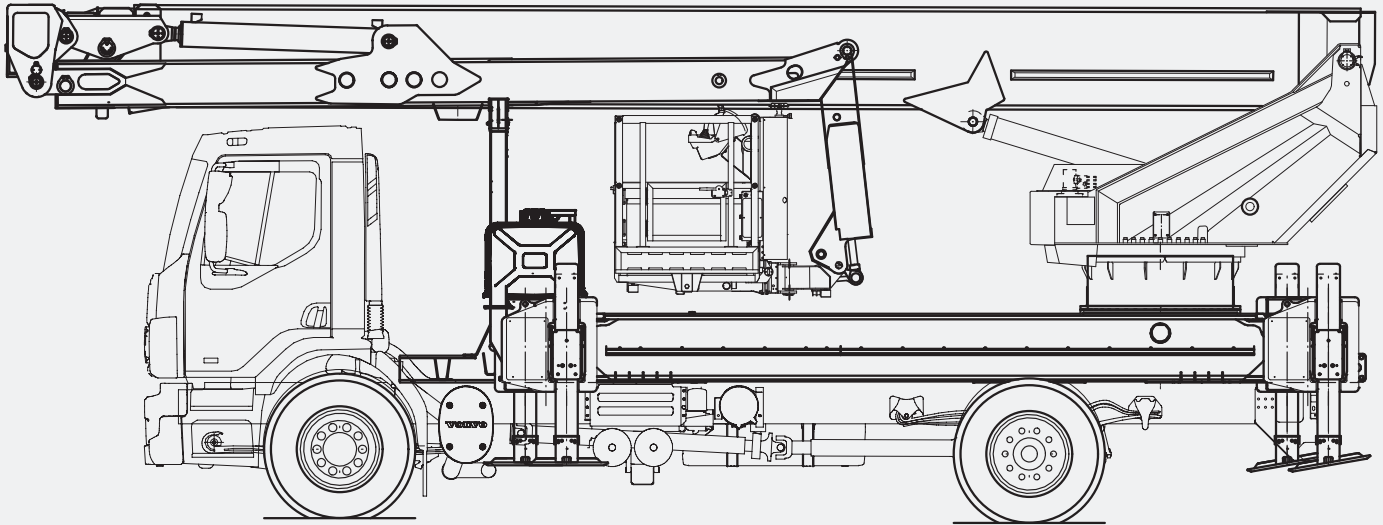
# S 44 XDT


XDT RANGE

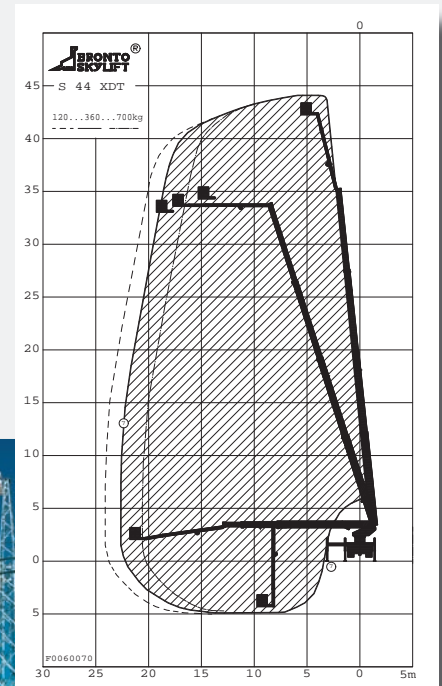
Bronto Skylift - Above All

Above **all**

# S 44 XDT



	Technical data
Max. working height	44 m
Max. working side outreach	24 m
Safe working cage load	700 kg
Working cage dimensions	1,05 m X 2,4 m (3,7 m)
Working cage slewing (deg)	90 / 90
Outrigger width (c/c)	6,2 m
Transport height, approx.	3,75 m
Transport length, below	<10 m
Typical gross vehicle weight, GVW (depending on chassis)	<18 t
Chassis (layout above)	VOLVO FEE 42R/4x2/5000
Variable jacking	Standard
Automatic levelling	Standard
Geometric outreach	Standard



# S 44 XDT



**BRONTO SKYLIFT OY AB**  
Teerivuorenkatu 28  
FI-33300 TAMPERE  
Finland  
Tel +358 20 7927 111  
Fax +358 20 7927 300  
www.bronto.fi

**BRONTO SKYLIFT AB**  
Okvistavägen 38  
SE-18640 VALLENTUNA  
Sweden  
Tel +46 8 5816 6040  
Fax +46 8 5816 6035  
www.bronto.se

**BRONTO SKYLIFT AG**  
Ifangstrasse 111  
CH-8153 RÜMLANG  
Switzerland  
Tel +41 44 818 8040  
Fax +41 44 818 8050  
www.bronto.ch

**BRONTO SKYLIFT UK**  
Ian James  
28 Dorsington Close  
Hatton Park  
Warwick CV35 7TH  
United Kingdom  
Mob +44 (788) 4497267  
Tel +44 (1926) 492049  
ian@brontoskylift.co.uk

A subsidiary of Federal Signal Corporation