



### Features

- New entry level model from Bronto's XDT modular design family
- Easy to use straight telescopic boom with fixed cage boom
- Rigid profile design and high tensile steel for superior boom stiffness
- Geometric outreach control for virtually zero tolerance
- Energy chain cartridge system for fast and easy maintenance inside the boom
- Mounted onto 4x2 or 4x4 18 tonnes chassis
- Zero tail swing
- Automatic outrigger levelling

- Fully variable outrigger jacking
- Variable cage load with optimised outreach
- 2 x 90 degrees cage slewing
- SWL of 700 kg
- Fault finding system

### Optional items

- Boom and cage winch options
- Changeable working cage options (e.g. rotating TV camera cage)
- Over 200 other custom features optionally available
- GSM telecontrol for fault finding and remote calibration



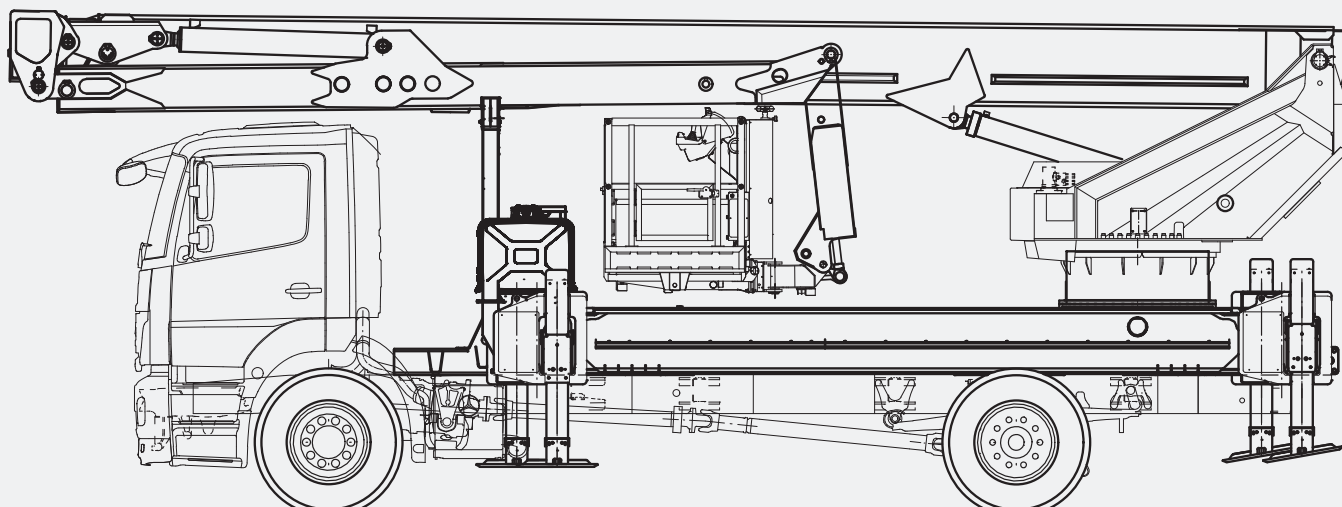
# S 36 XDT


XDT RANGE

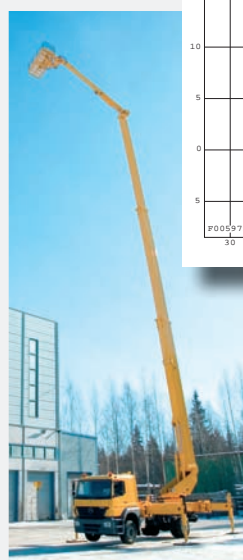
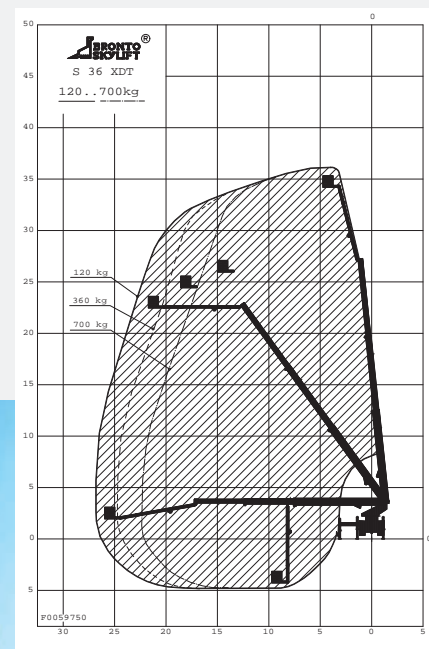
Bronto Skylift - Above All

Above **all**

# S 36 XDT



	Technical data
Max. working height	36 m
Max. working side outreach	27 m
Safe working cage load	700 kg
Working cage dimensions	1,05 m X 2,4 m (3,7 m)
Working cage slewing (deg)	90 / 90
Outrigger width (c/c)	6,2 m
Transport height, approx.	3,7 m
Transport length, below	<10 m
Typical gross vehicle weight, GVW (depending on chassis)	<18 t
Chassis (layout above)	Mercedes-Benz AXOR 1829/4x2/5100
Variable jacking	Standard
Automatic levelling	Standard
Geometric outreach	Standard



# S 36 XDT



**BRONTO SKYLIFT OY AB**  
 Teerivuorenkatu 28  
 FI-33300 TAMPERE  
 Finland  
 Tel +358 20 7927 111  
 Fax +358 20 7927 300  
 www.bronto.fi

**BRONTO SKYLIFT AB**  
 Okvistavägen 38  
 SE-18640 VALLENTUNA  
 Sweden  
 Tel +46 8 5816 6040  
 Fax +46 8 5816 6035  
 www.bronto.se

**BRONTO SKYLIFT AG**  
 Ifangstrasse 111  
 CH-8153 RÜMLANG  
 Switzerland  
 Tel +41 44 818 8040  
 Fax +41 44 818 8050  
 www.bronto.ch

**BRONTO SKYLIFT UK**  
 Ian James  
 28 Dorsington Close  
 Hatton Park  
 Warwick CV35 7TH  
 United Kingdom  
 Mob +44 (788) 4497267  
 Tel +44 (1926) 492049  
 ian@brontoskylift.co.uk

A subsidiary of Federal Signal Corporation