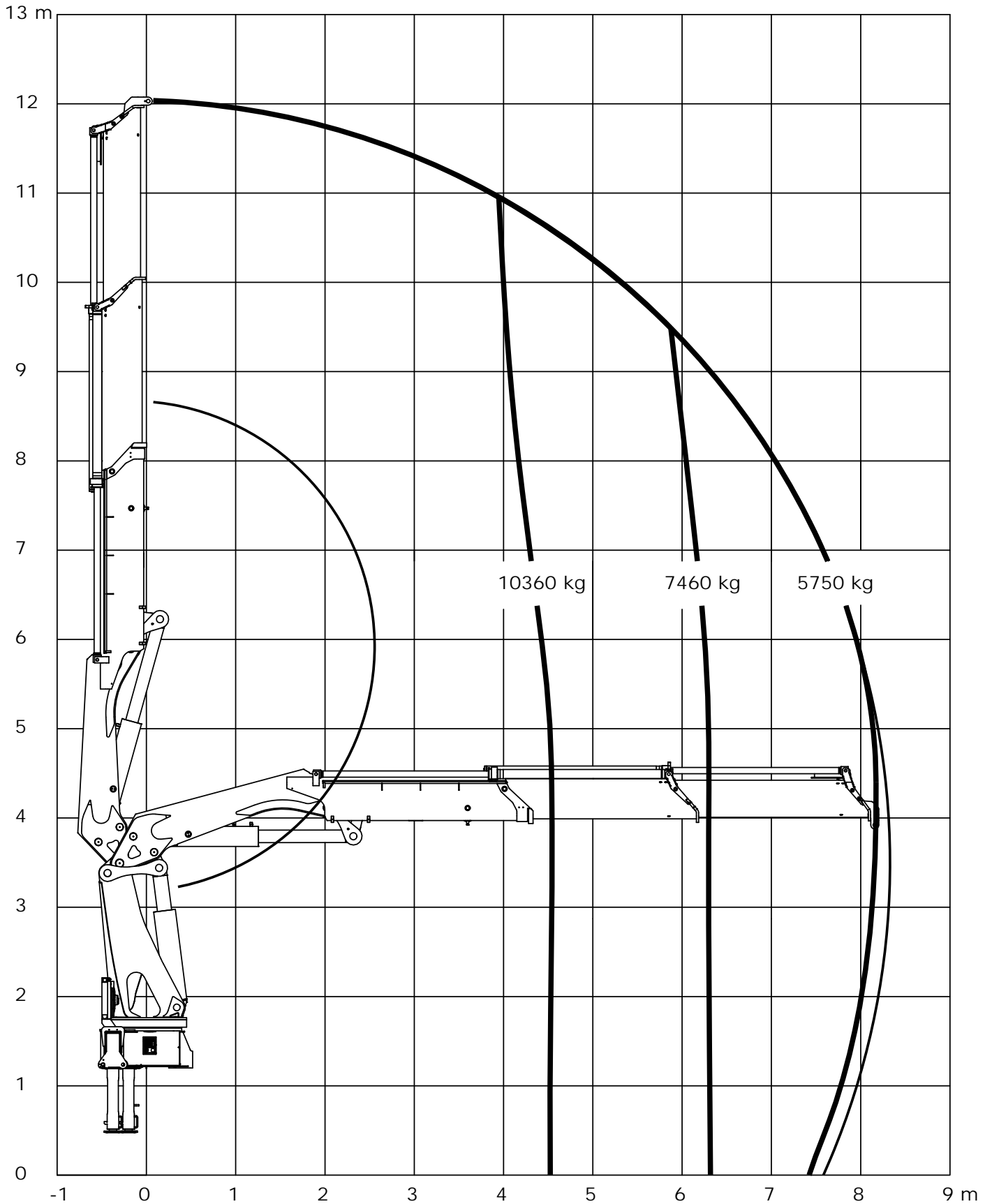


Technical Information 5020-K



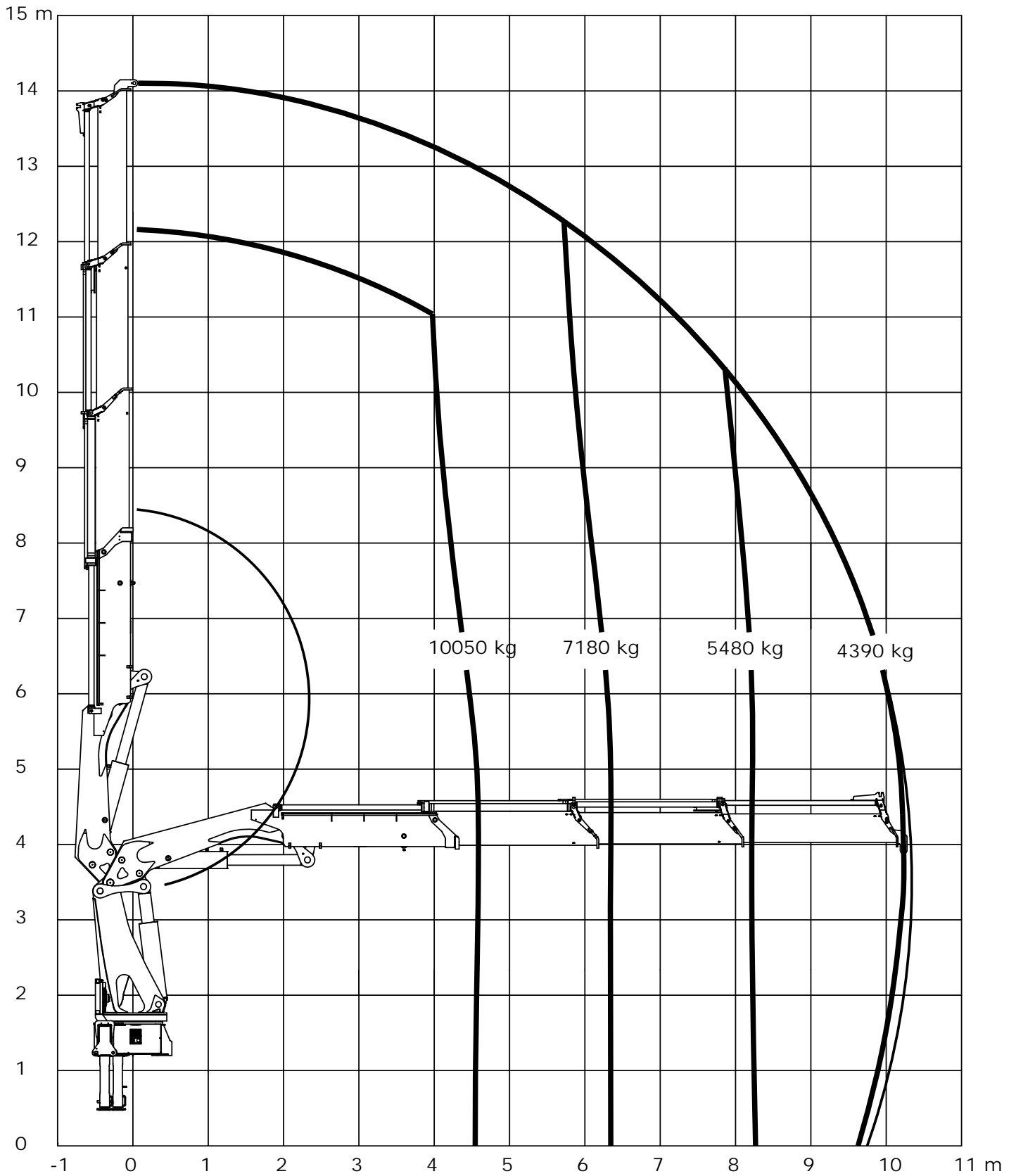
Lifting capacity diagram, K2

Catalogue no.	31 109	Section	22
Date	10-04-2012	Page	1 (1)



Lifting capacity diagram, K3

Catalogue no.	Section
31 109	23
Date	Page
10-04-2012	1 (1)



Loading group: EN12999 H1/B3

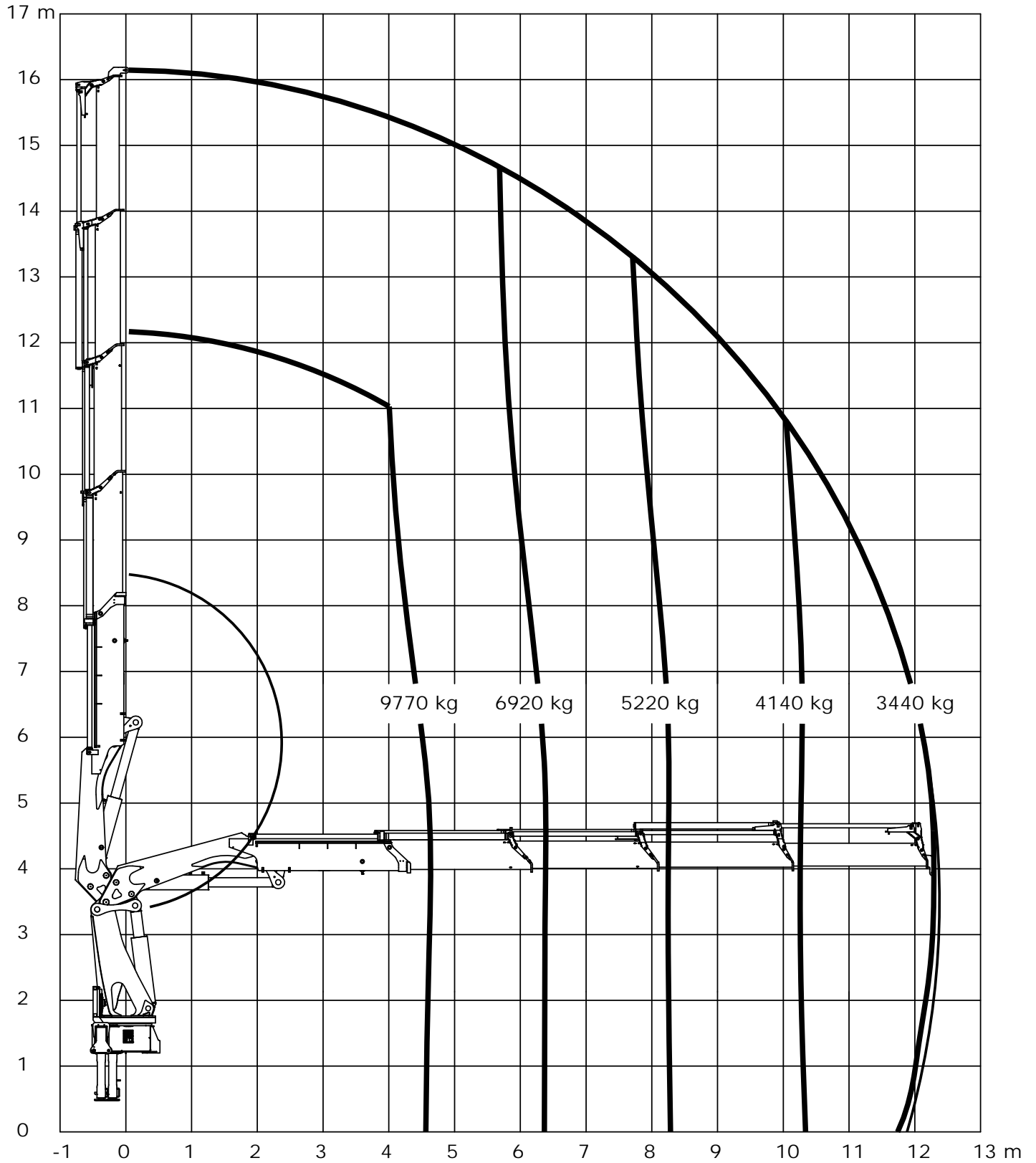


Technical Information 5020-K



Lifting capacity diagram, K4

Catalogue no.	Section
31 109	24
Date	Page
10-04-2012	1 (1)

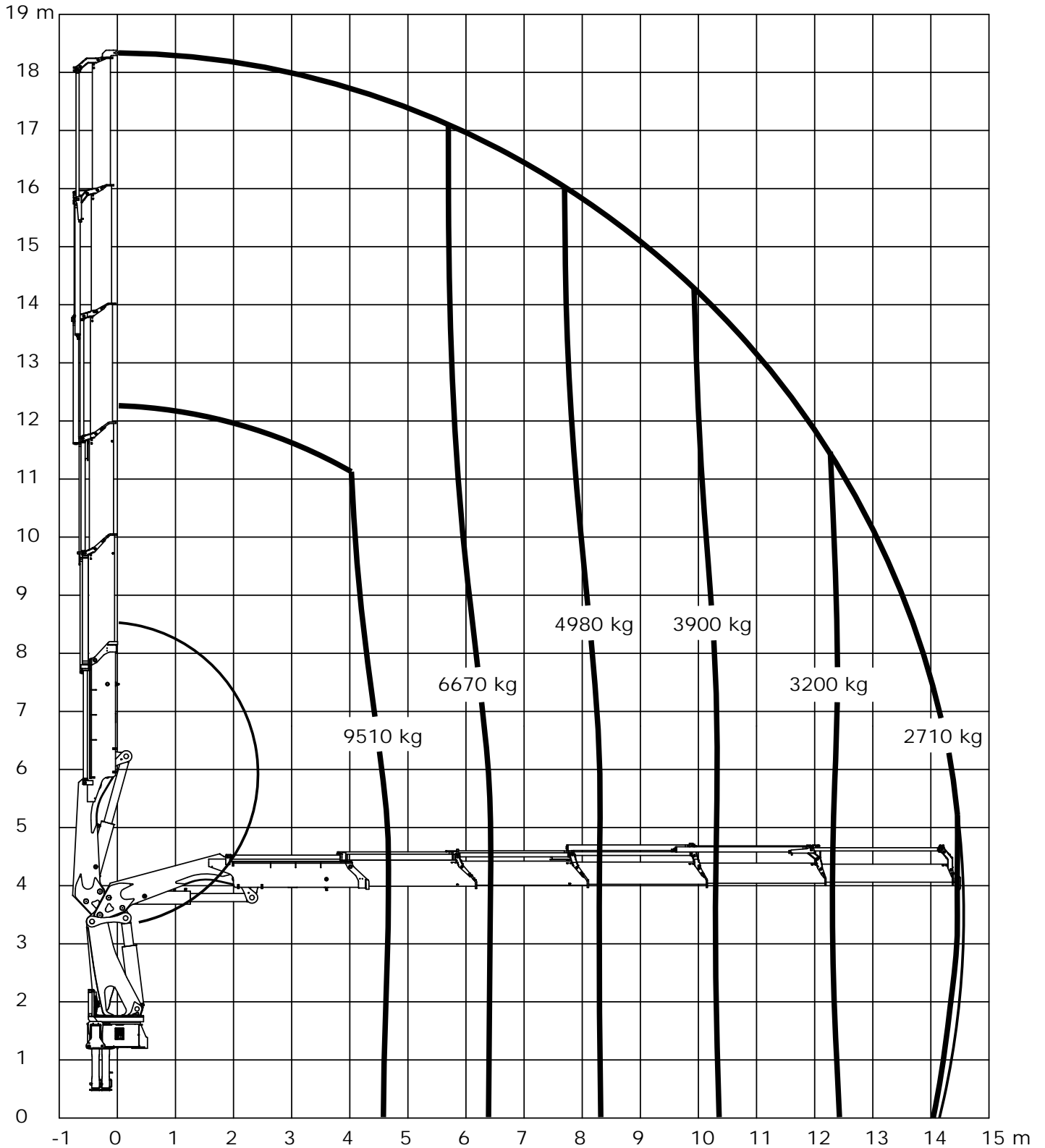


Loading group: EN12999 H1/B3



Lifting capacity diagram, K5

Catalogue no.	31 109	Section	25
Date	10-04-2012	Page	1 (1)

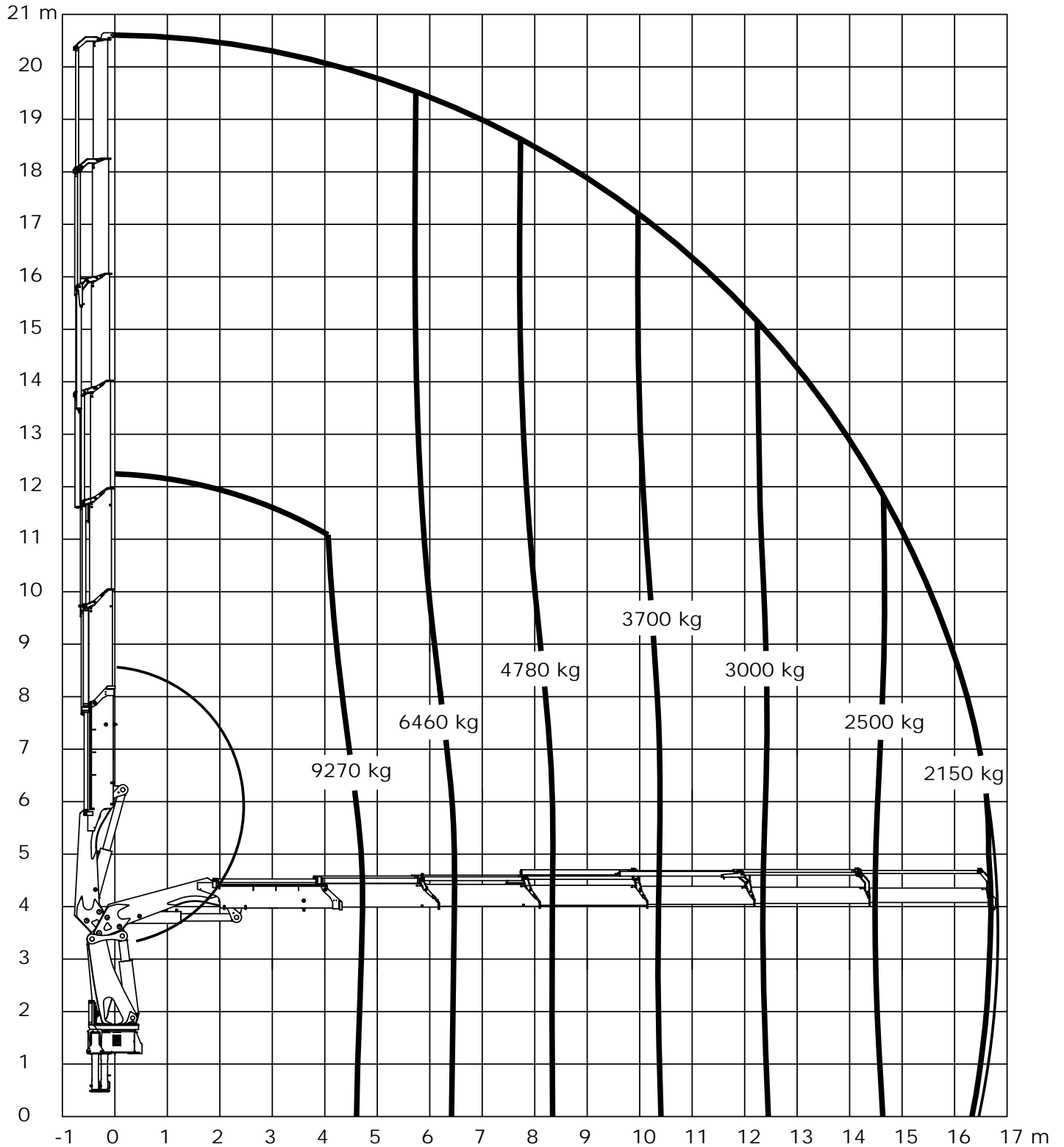


Loading group: EN12999 H1/B3



Lifting capacity diagram, K6

Catalogue no.	Section
31 109	26
Date	Page
10-04-2012	1 (1)

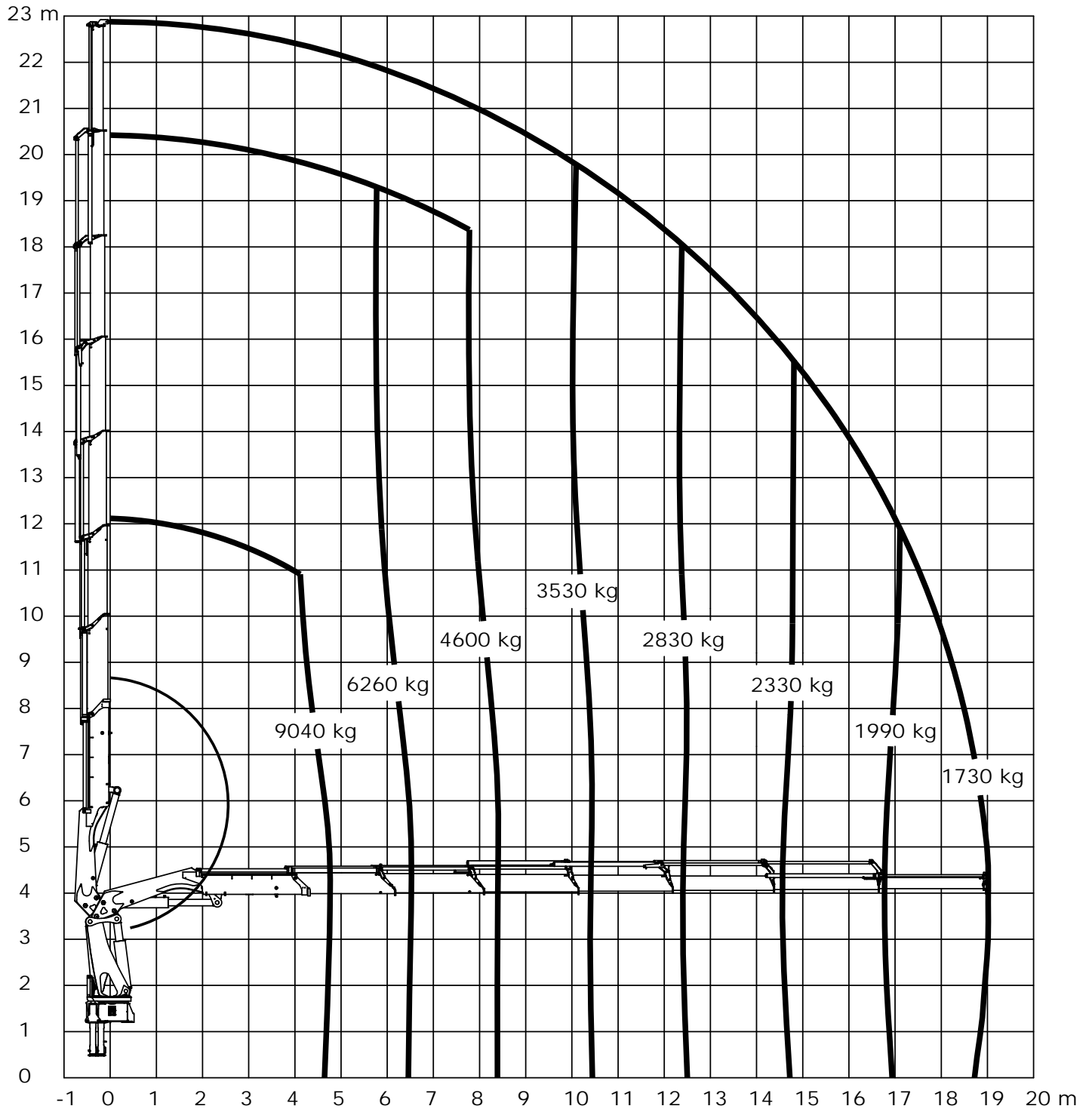


Loading group: EN12999 H1/B3



Lifting capacity diagram, K7

Catalogue no.	Section
31 109	27
Date	Page
10-04-2012	1 (1)

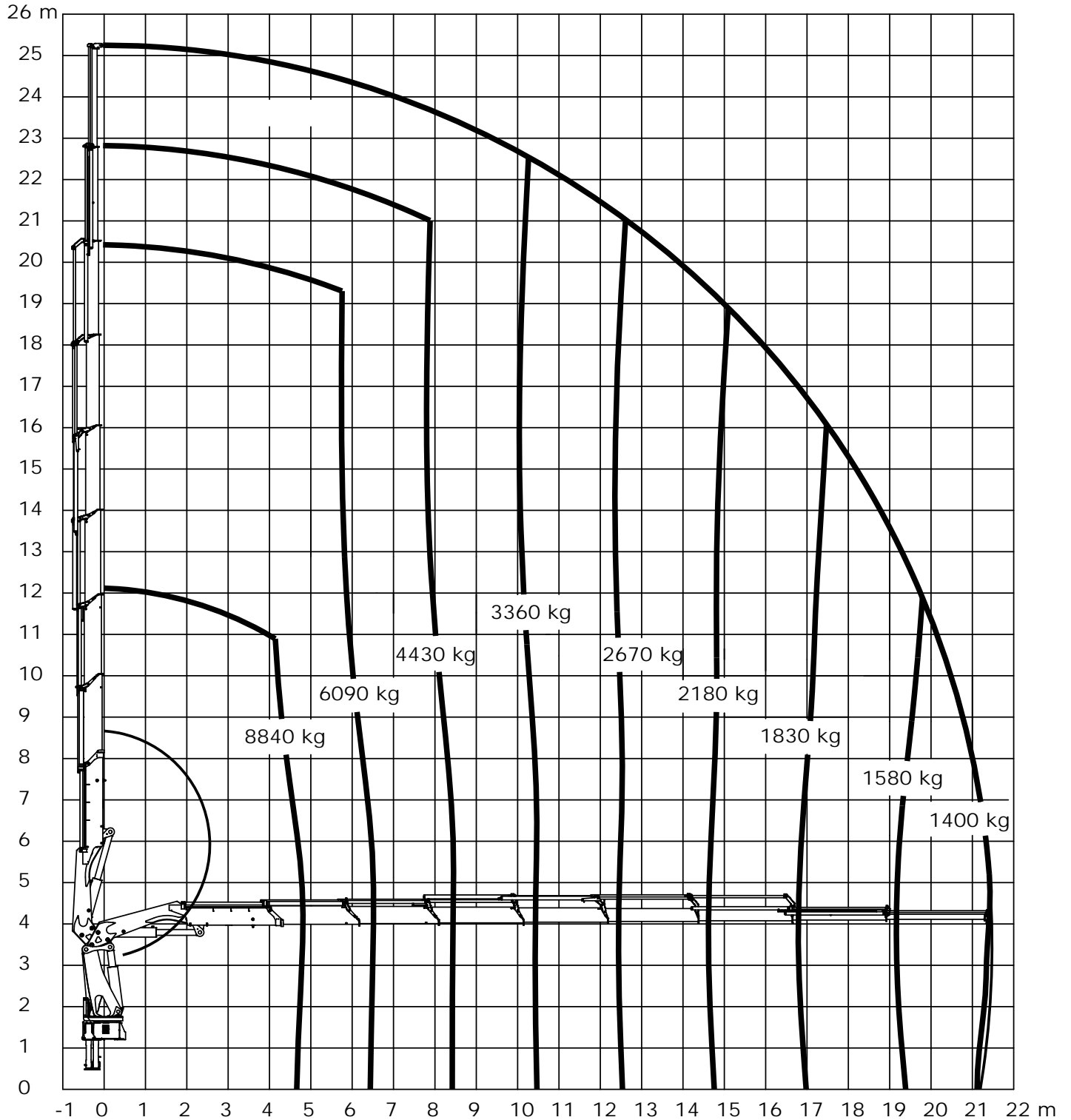


Loading group: EN12999 H1/B3



Lifting capacity diagram, K8

Catalogue no.	Section
31 109	28
Date	Page
10-04-2012	1 (1)

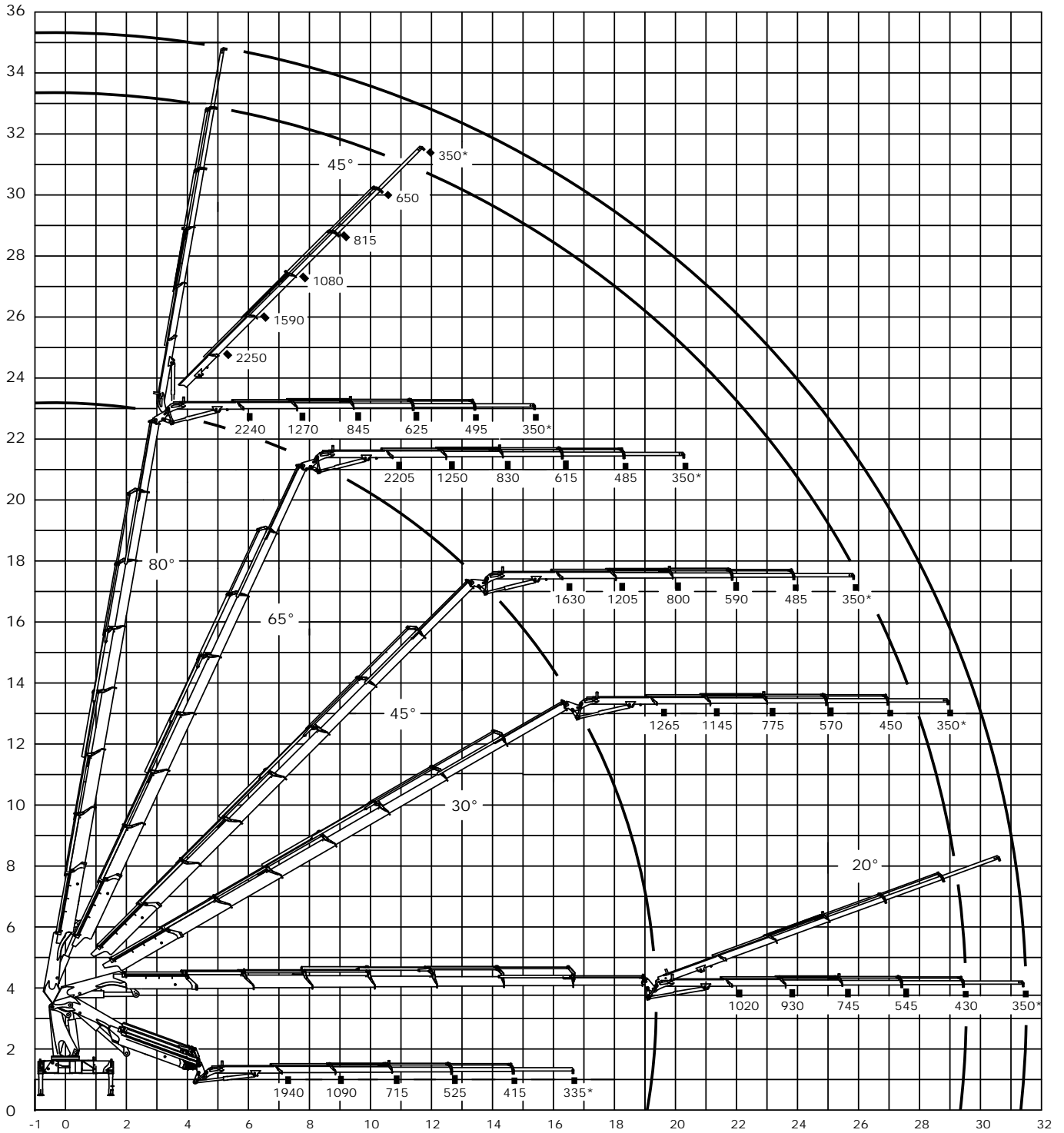


Loading group: EN12999 H1/B3



Lifting capacity diagram, 5020-K7 with FJ600 K4

Catalogue no.	Section
31 109	253
Date	Page
10-04-2012	1 (1)

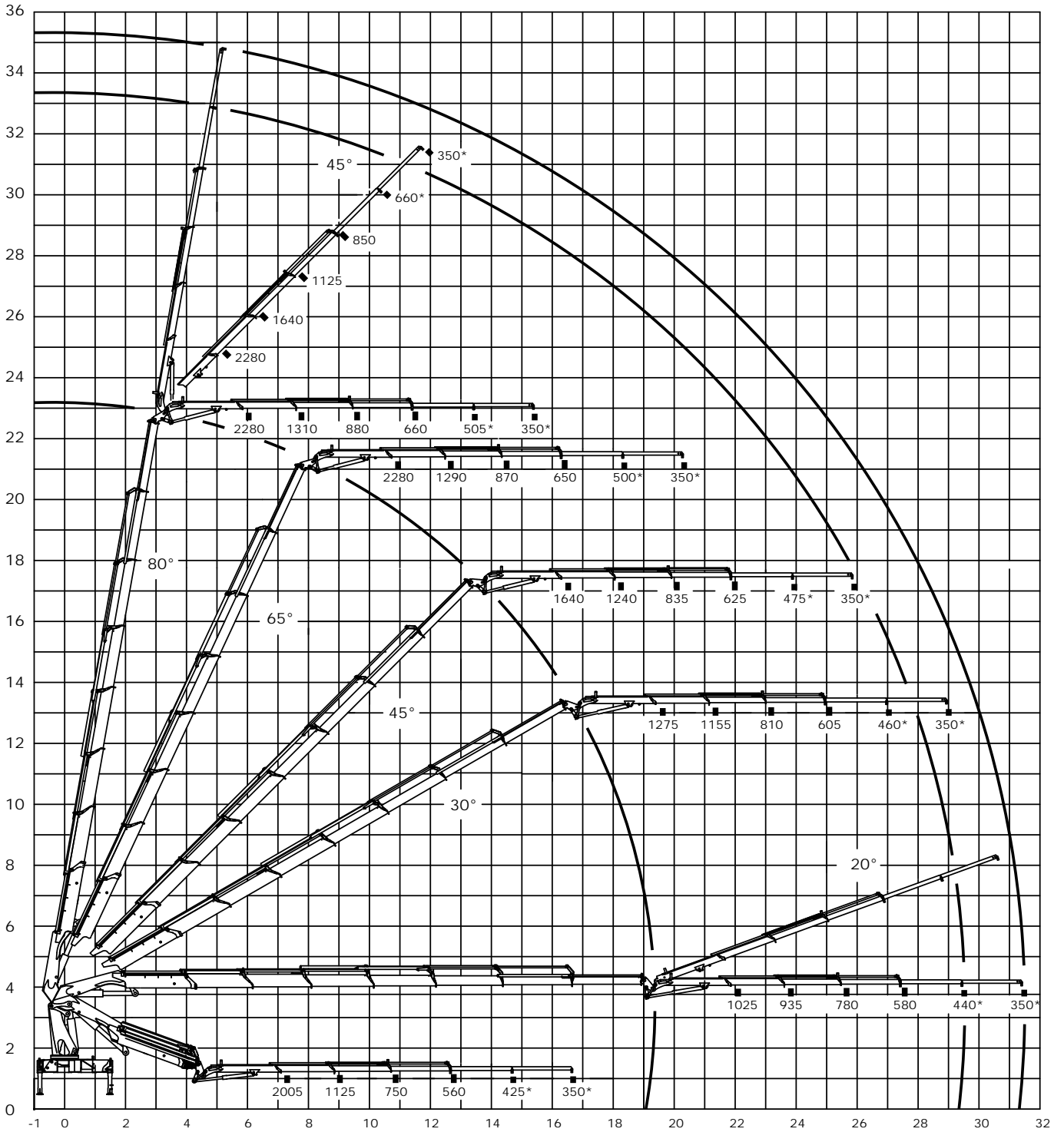


* With manual extension.



Lifting capacity diagram, 5020-K7 with FJ600 K3

Catalogue no.	Section
31 109	254
Date	Page
10-04-2012	1 (1)

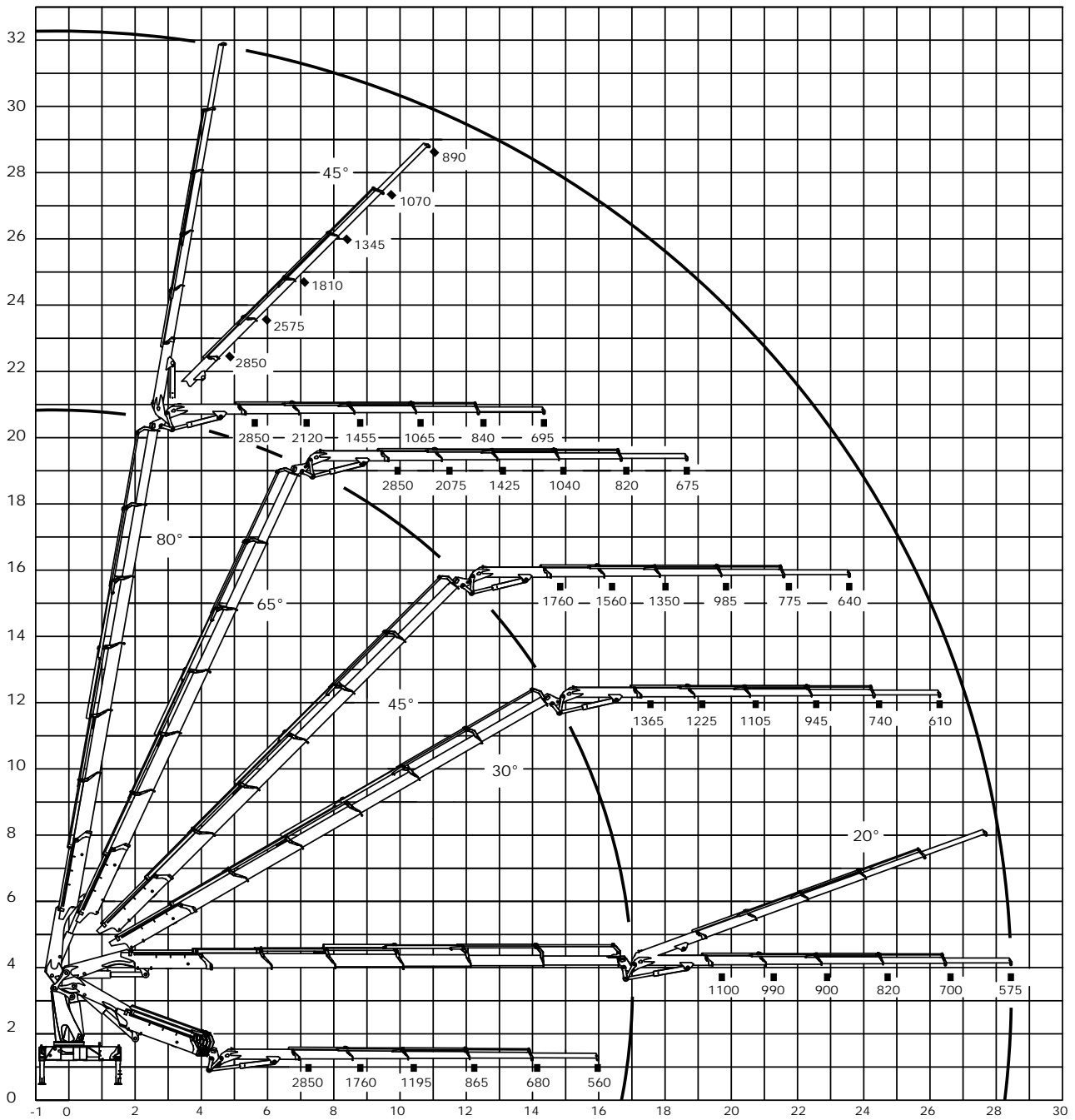


* With manual extension.



Lifting capacity diagram, 5020-K6 with FJ1000 K5

Catalogue no.	Section
31 109	255
Date	Page
10-04-2012	1 (1)

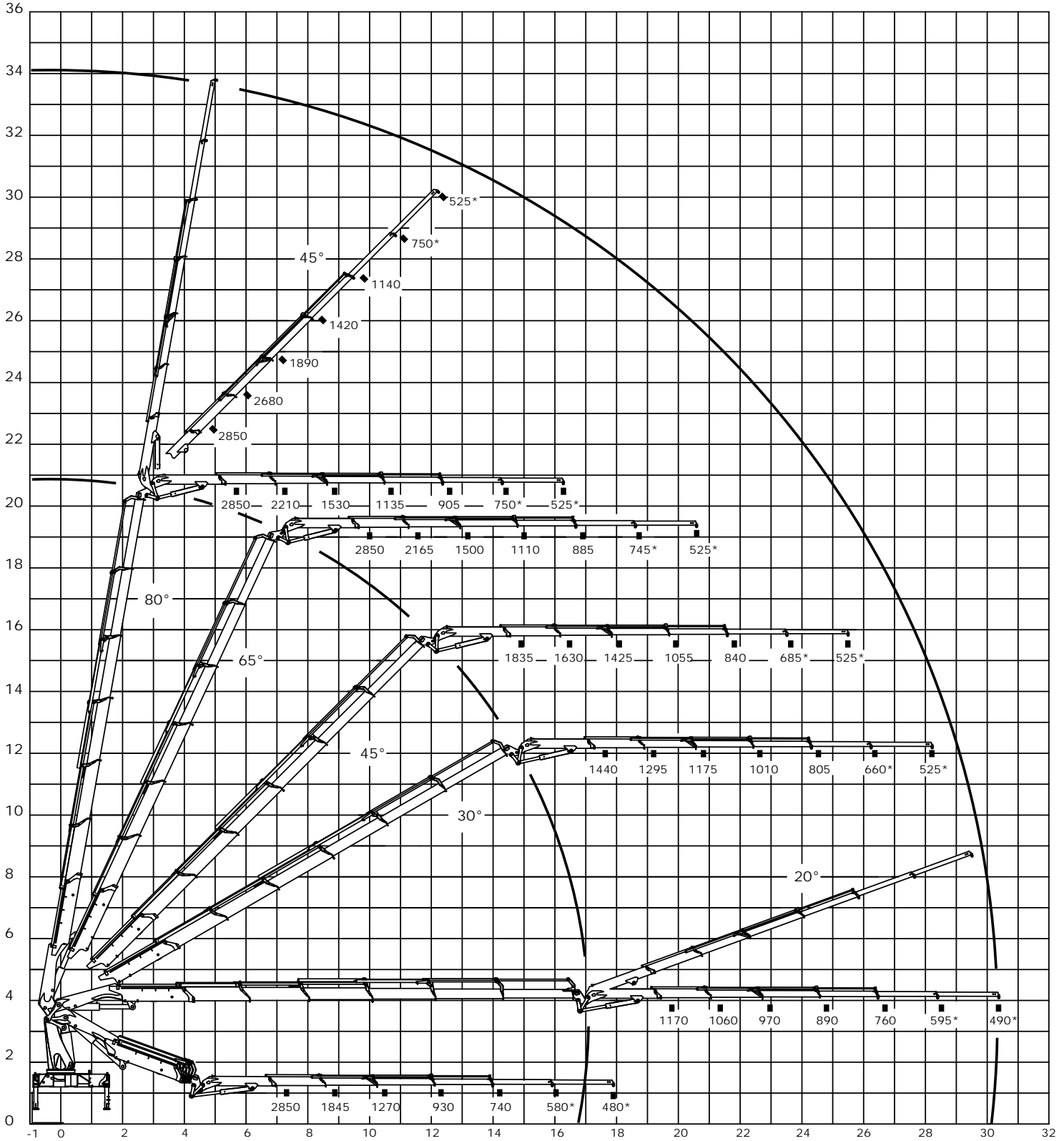


Technical Information 5020-K



Lifting capacity diagram, 5020-K6 with FJ1000 K4

Catalogue no.	Section
31 109	256
Date	Page
10-04-2012	1 (1)



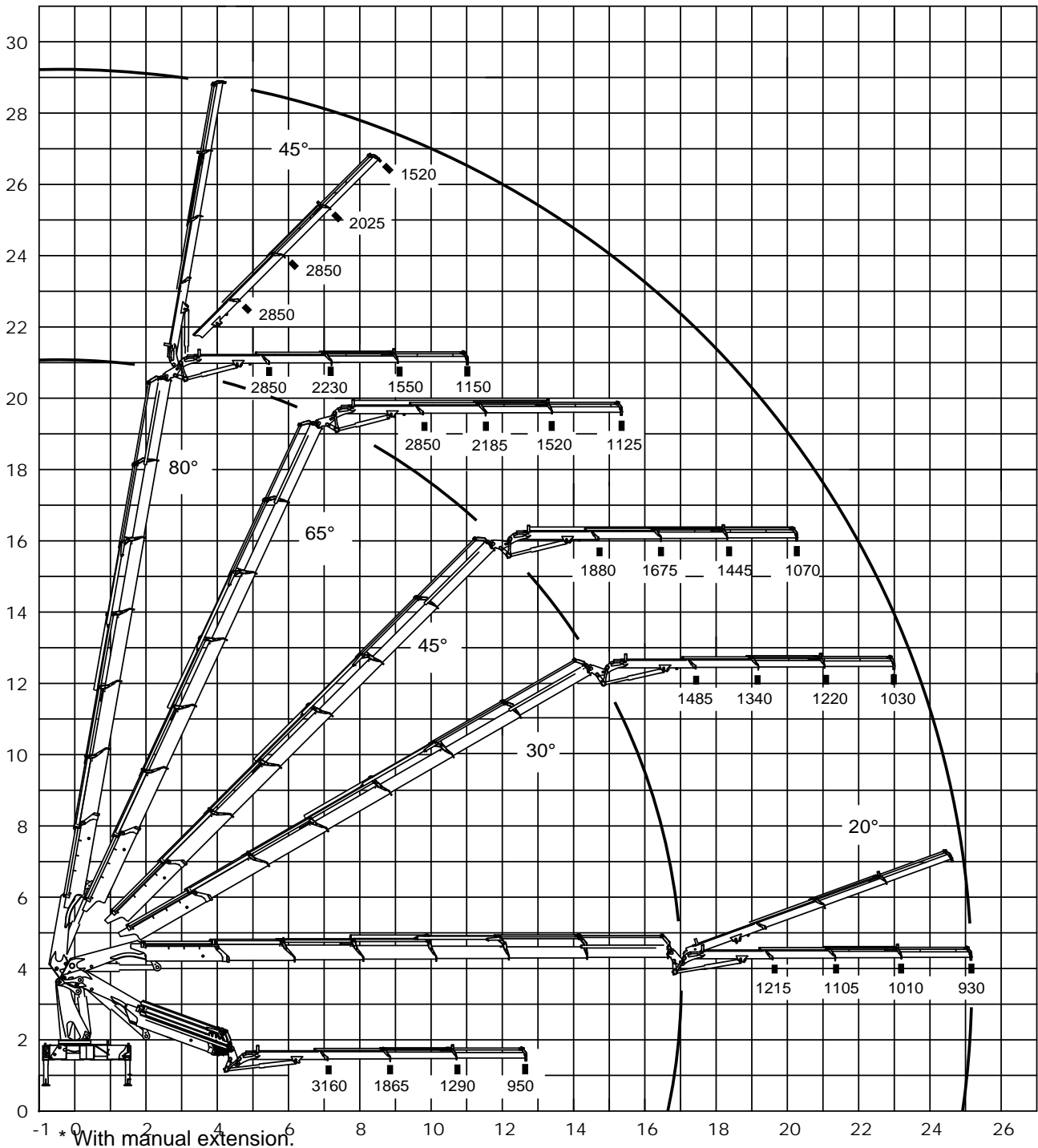
* With manual extension.

- power to lift. -



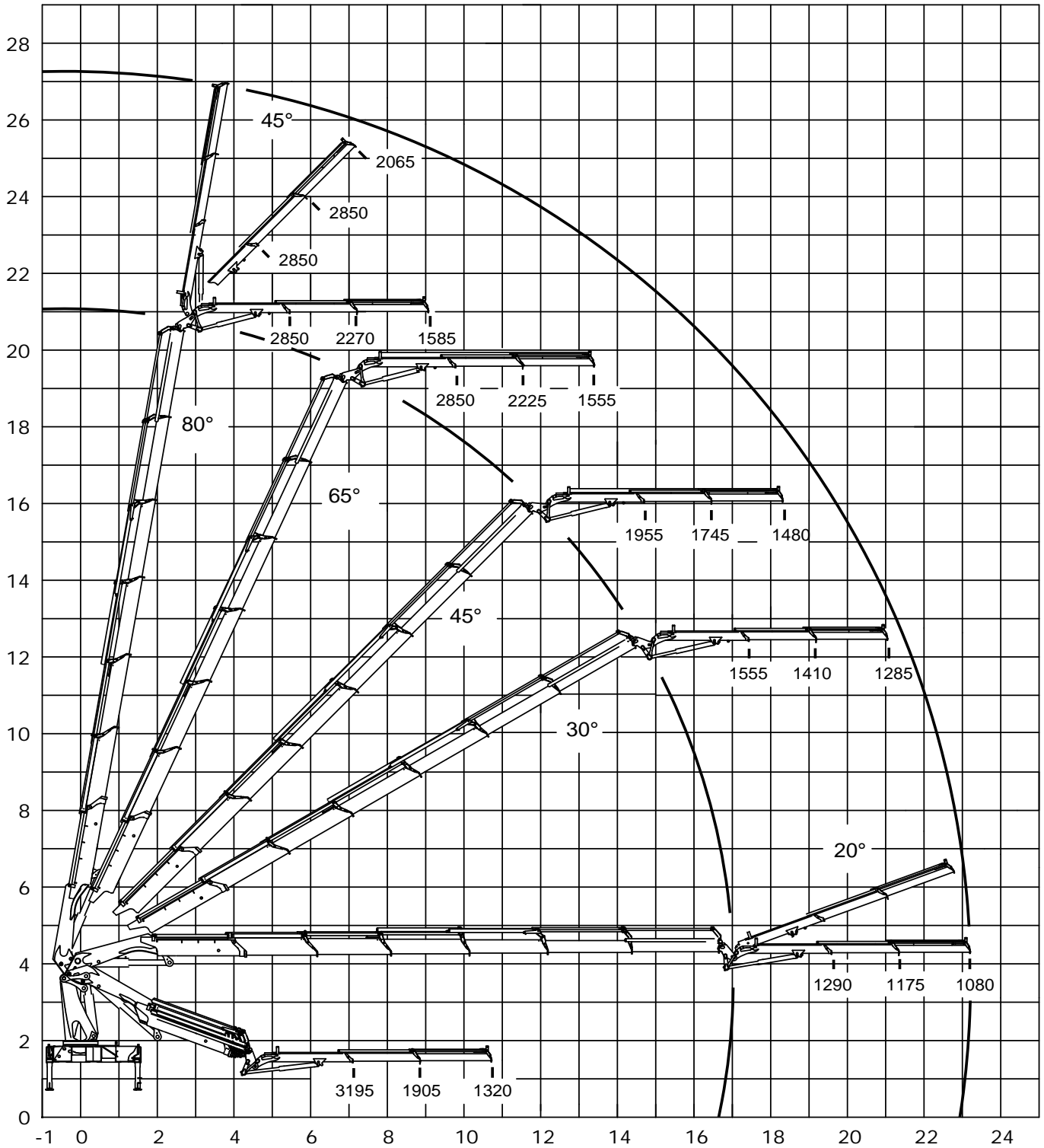
Lifting capacity diagram, 5020-K6 with FJ1000 K3

Catalogue no.	Section
31 109	257
Date	Page
13-06-2014	1 (1)



Lifting capacity diagram, 5020-K6 with FJ1000 K2

Catalogue no.	Section
31 109	258
Date	Page
05-04-2017	1 (1)

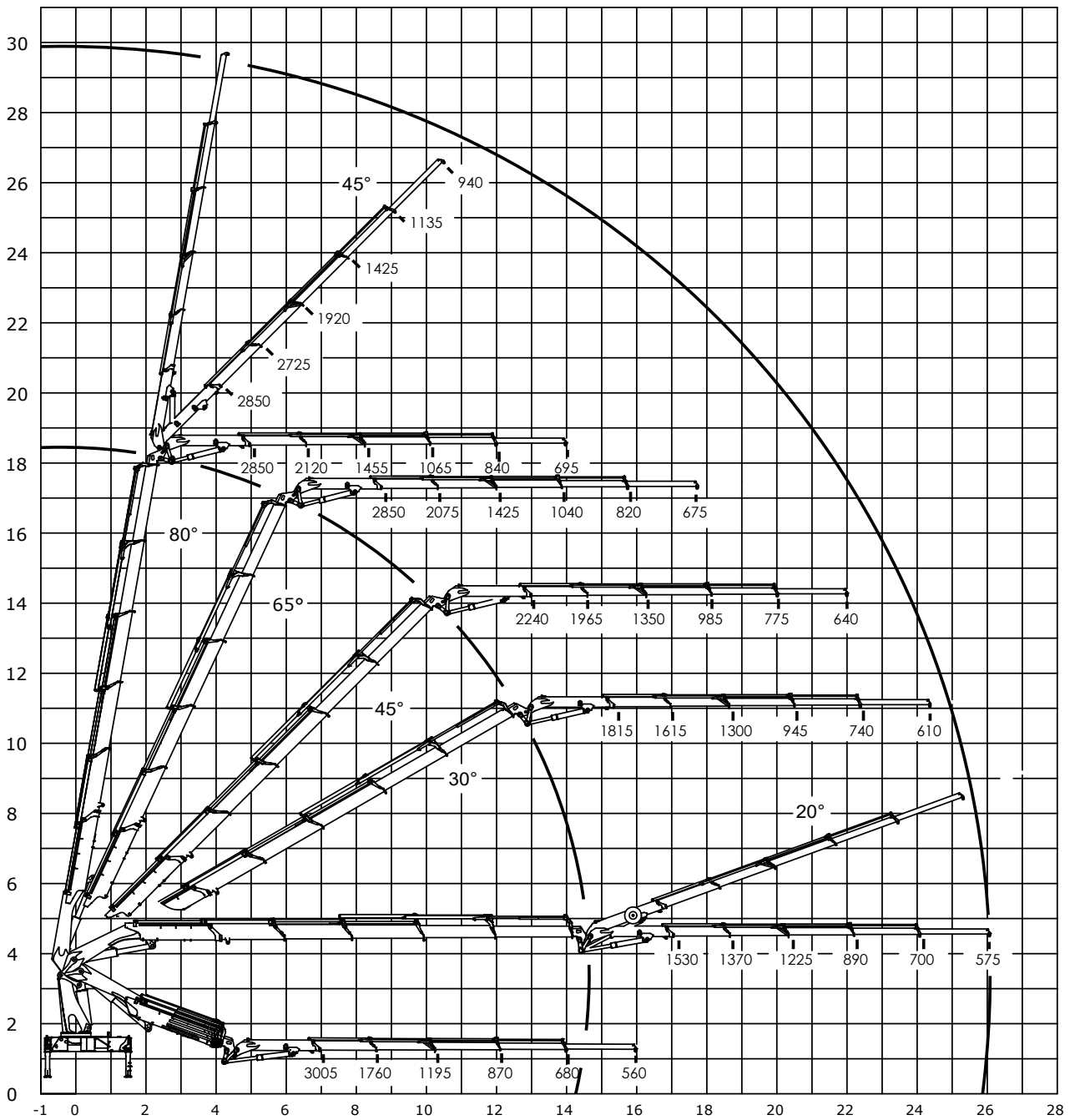


* With manual extension.



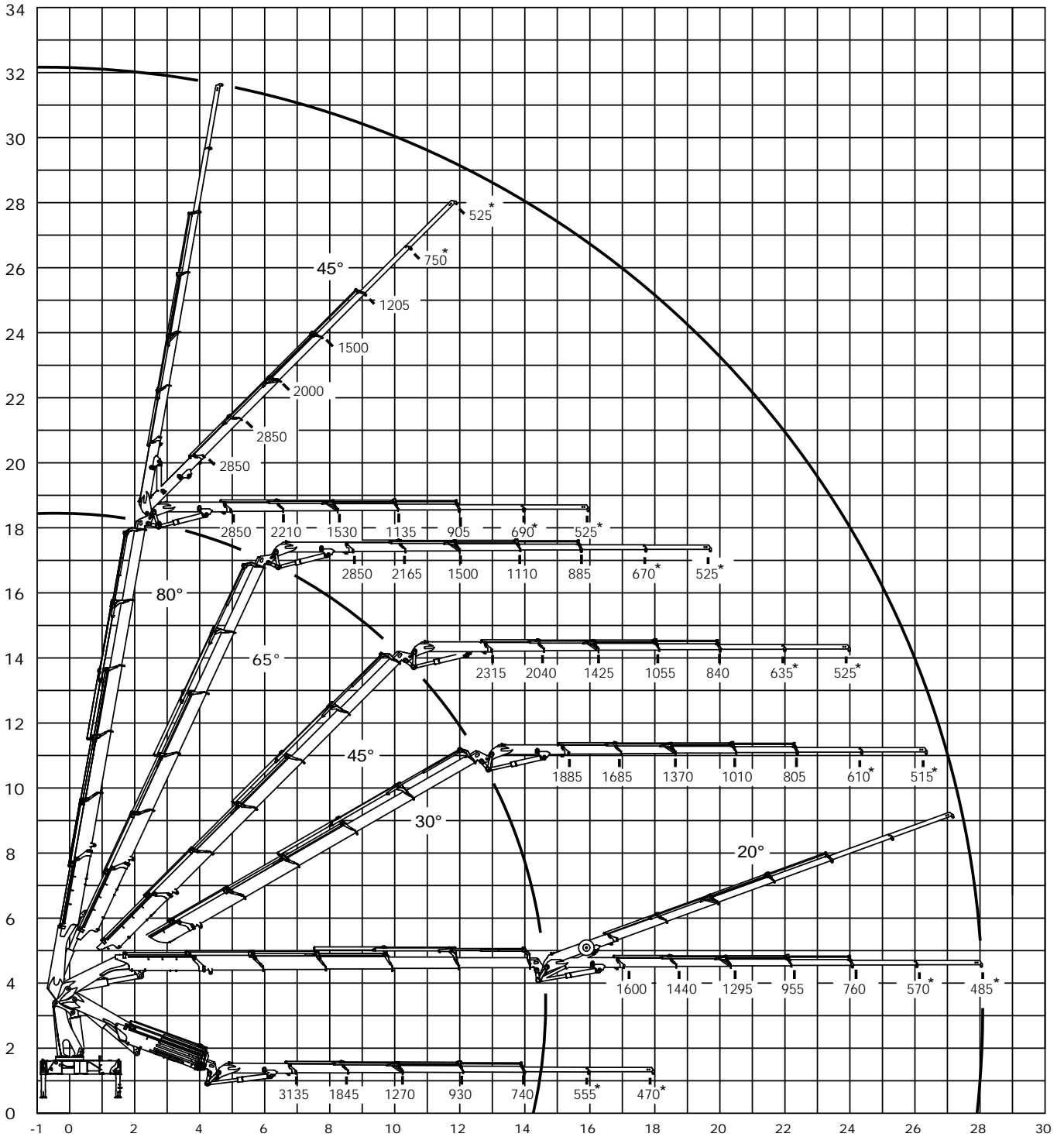
Lifting capacity diagram, 5020-K5 with FJ1000 K5

Catalogue no.	Section
31 109	259
Date	Page
18-12-2018	1 (1)



Lifting capacity diagram, 5020-K5 with FJ1000 K4

Catalogue no.	Section
31 109	260
Date	Page
14-06-2018	1 (1)



* With manual extension.



Lifting capacity diagram, 5020-K5 with FJ1000 K3

Catalogue no.	Section
31 109	261
Date	Page
14-06-2018	1 (1)

