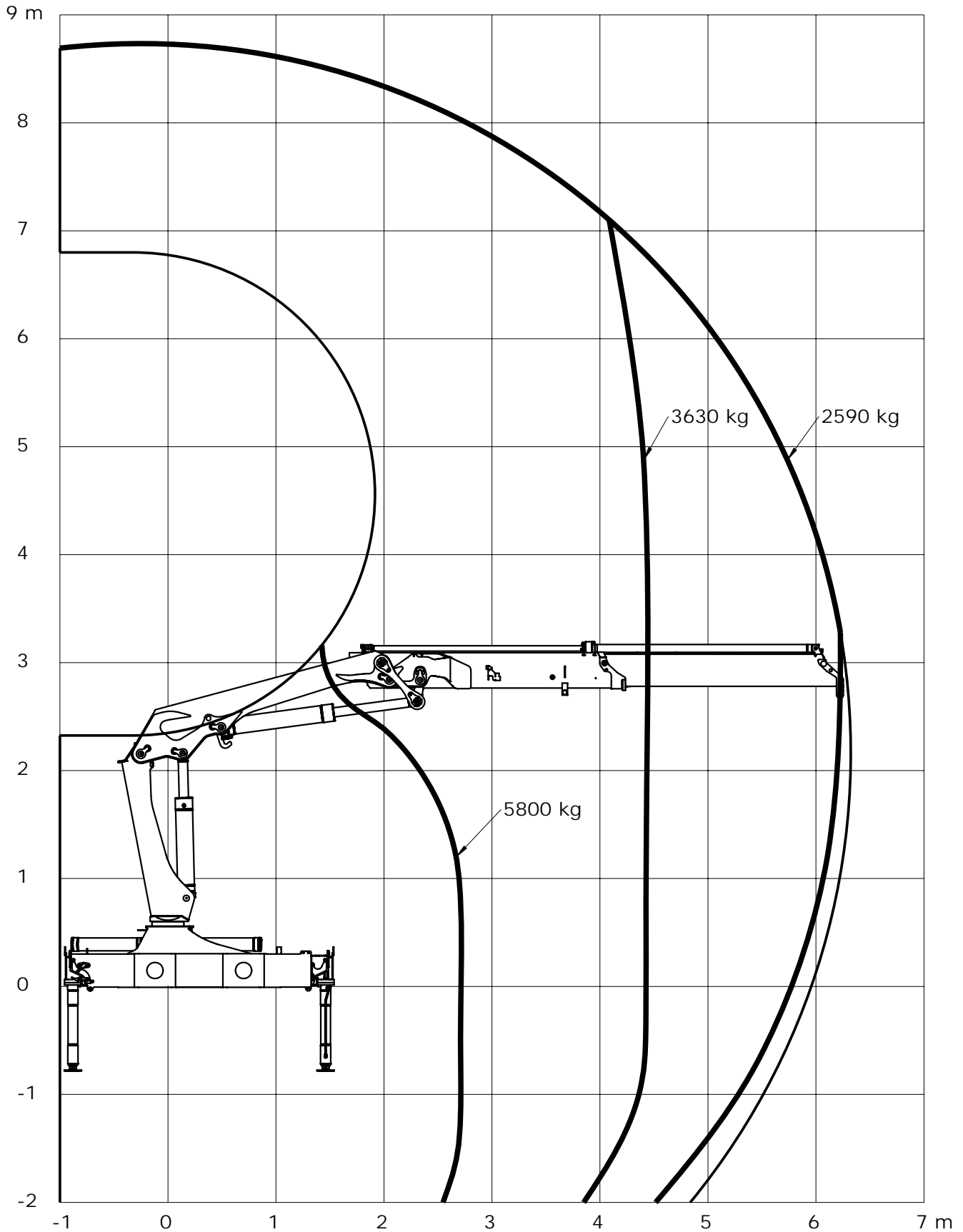


Technical Information 1730-K



Lifting capacity diagram, K1

Catalogue no.	Section
31 087	221
Date	Page
05-07-2007	1 (1)



Loading group: EN12999 H1/B3

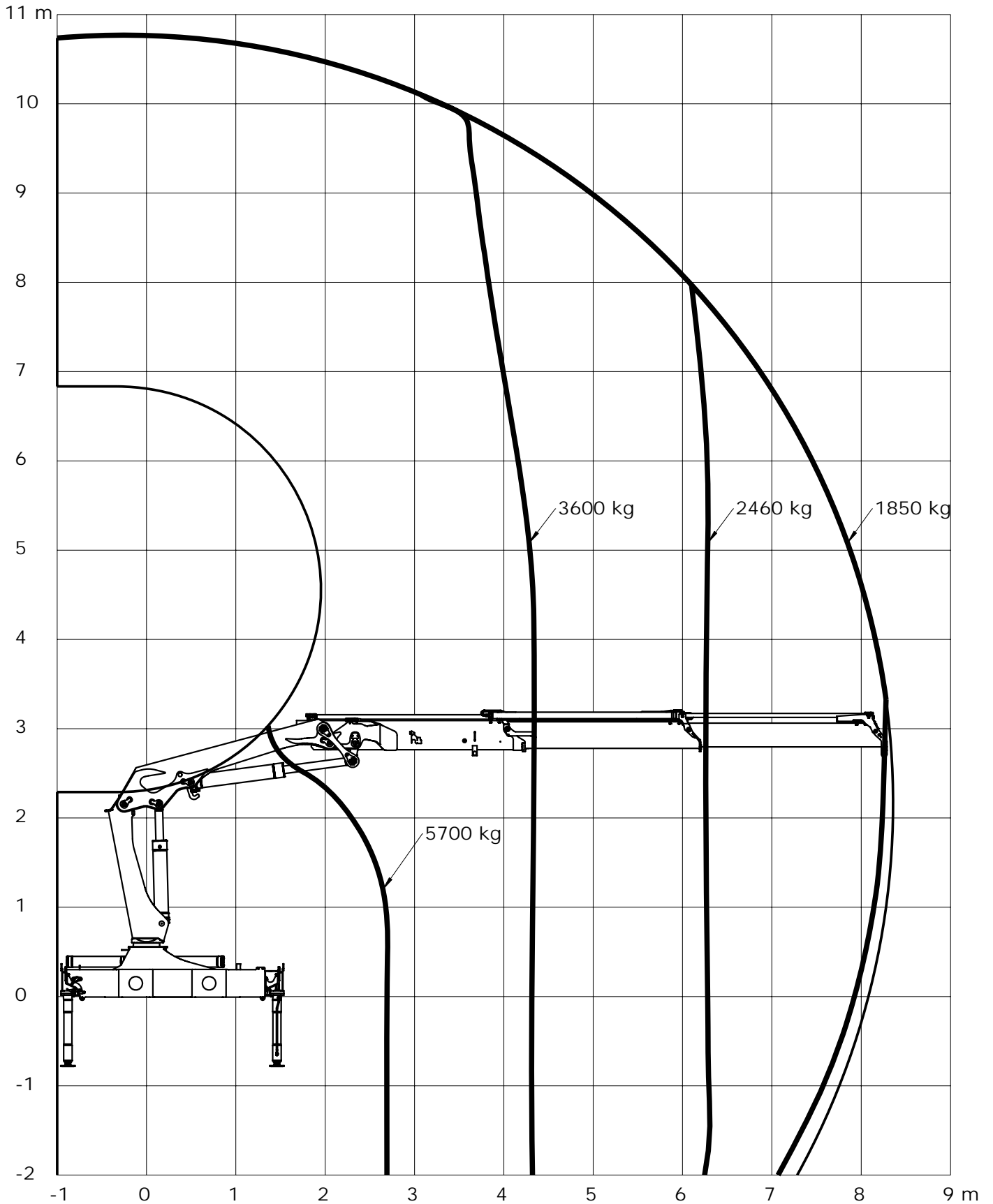


Technical Information 1730-K



Lifting capacity diagram, K2

Catalogue no.	Section
31 087	222
Date	Page
05-07-2007	1 (1)

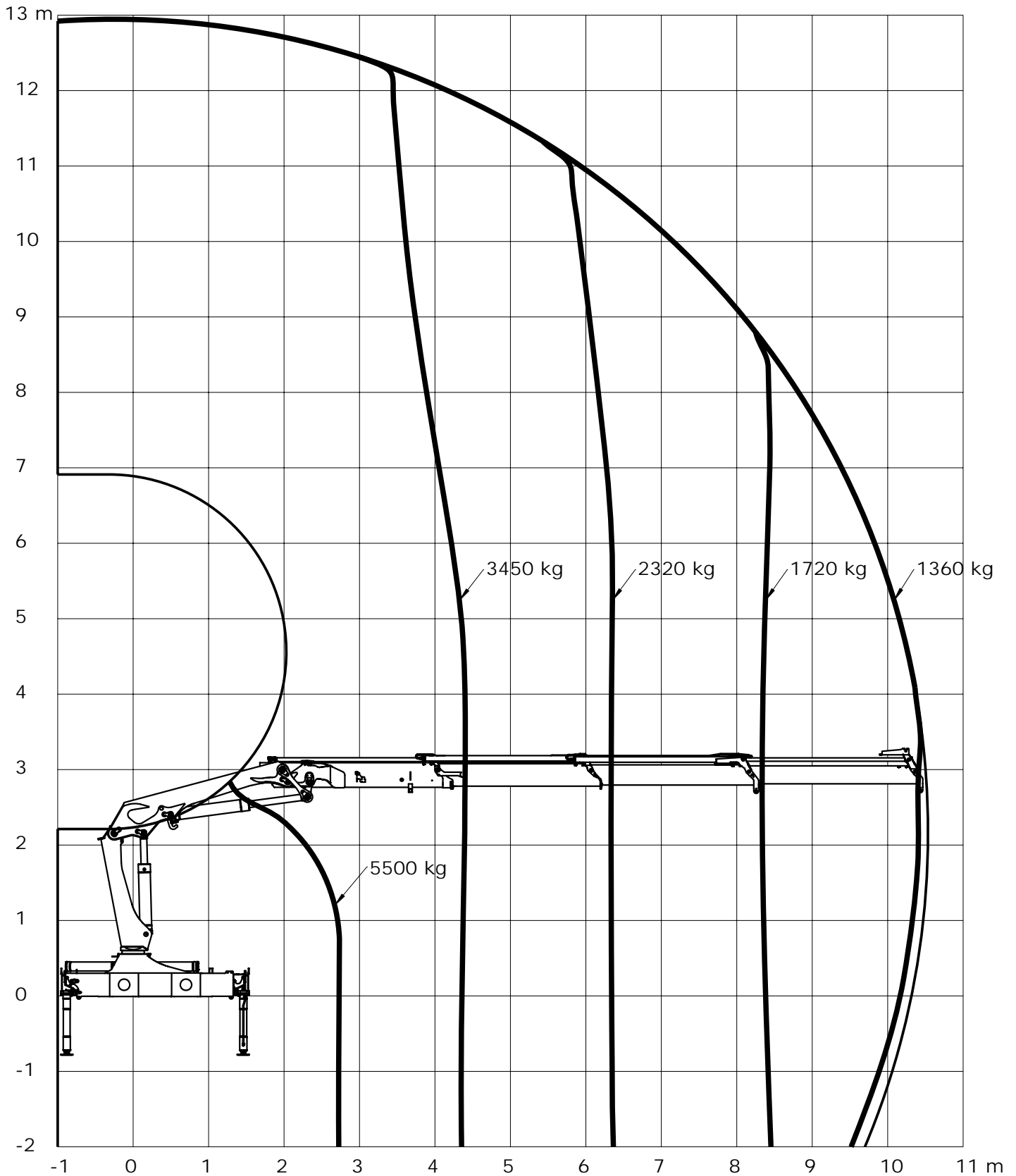


Loading group: EN12999 H1/B3



Lifting capacity diagram, K3

Catalogue no.	Section
31 087	223
Date	Page
05-07-2007	1 (1)

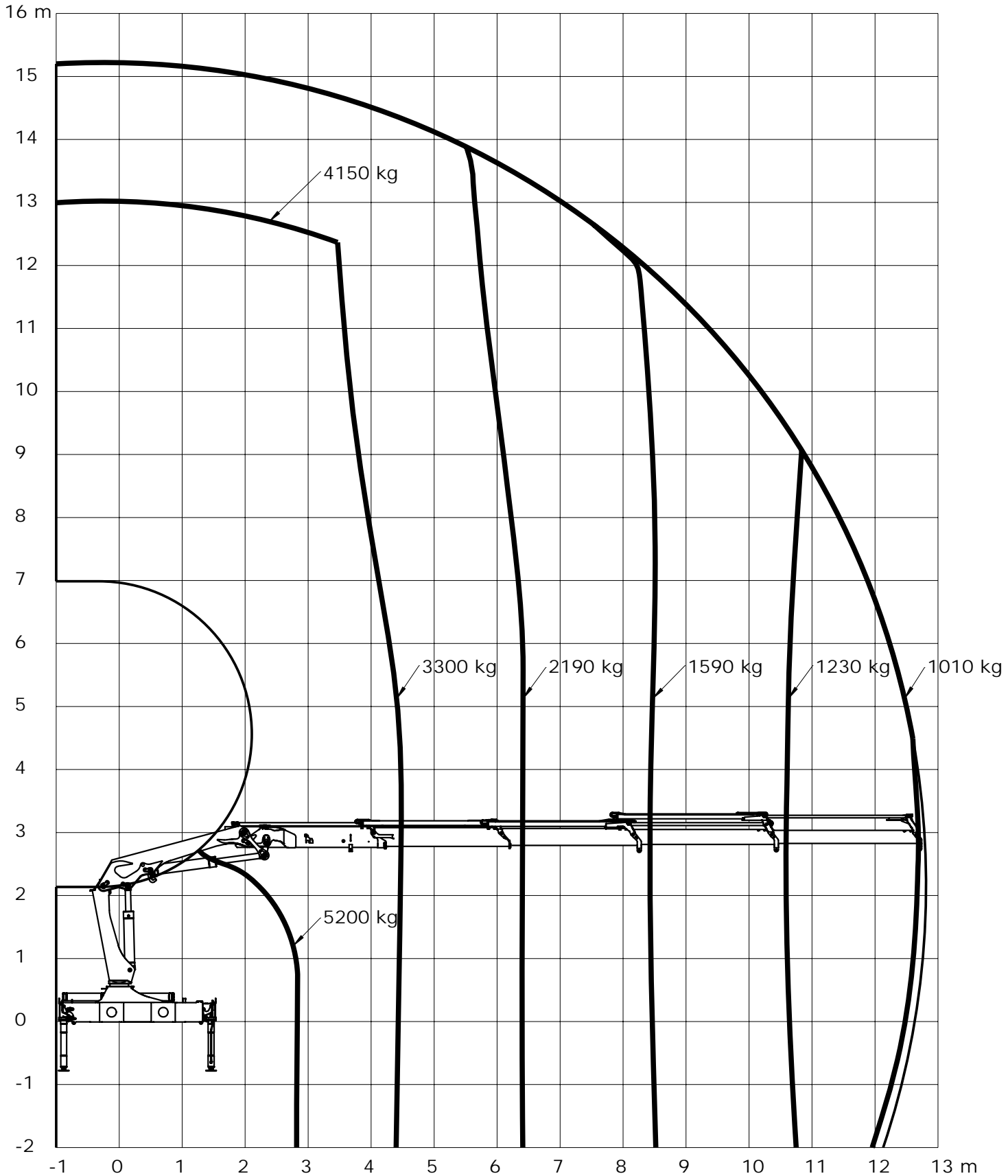


Loading group: EN12999 H1/B3



Lifting capacity diagram, K4

Catalogue no.	Section
31 087	224
Date	Page
05-07-2007	1 (1)

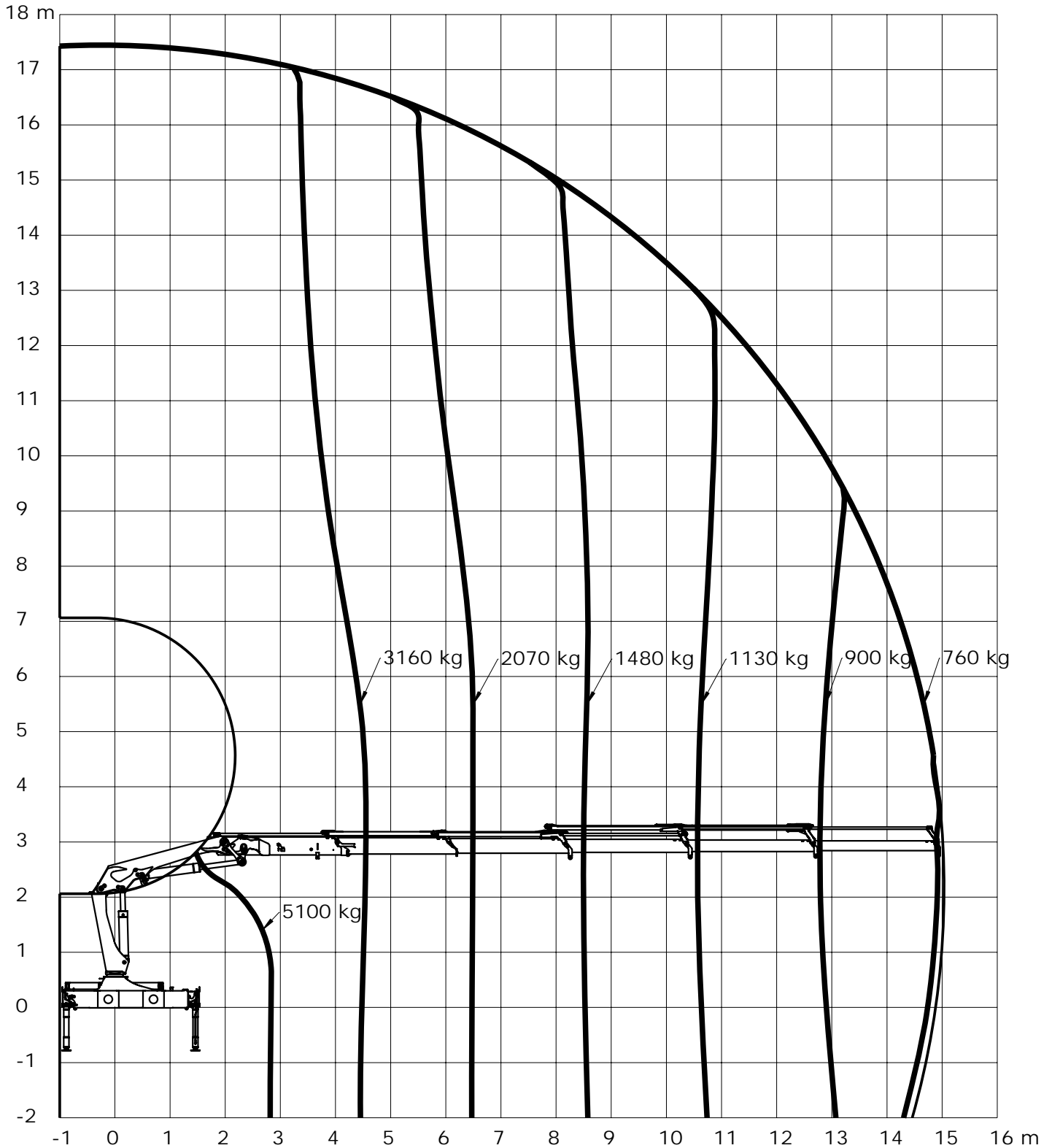


Loading group: EN12999 H1/B3



Lifting capacity diagram, K5

Catalogue no.	Section
31 087	225
Date	Page
05-07-2007	1 (1)



Loading group: EN12999 H1/B3

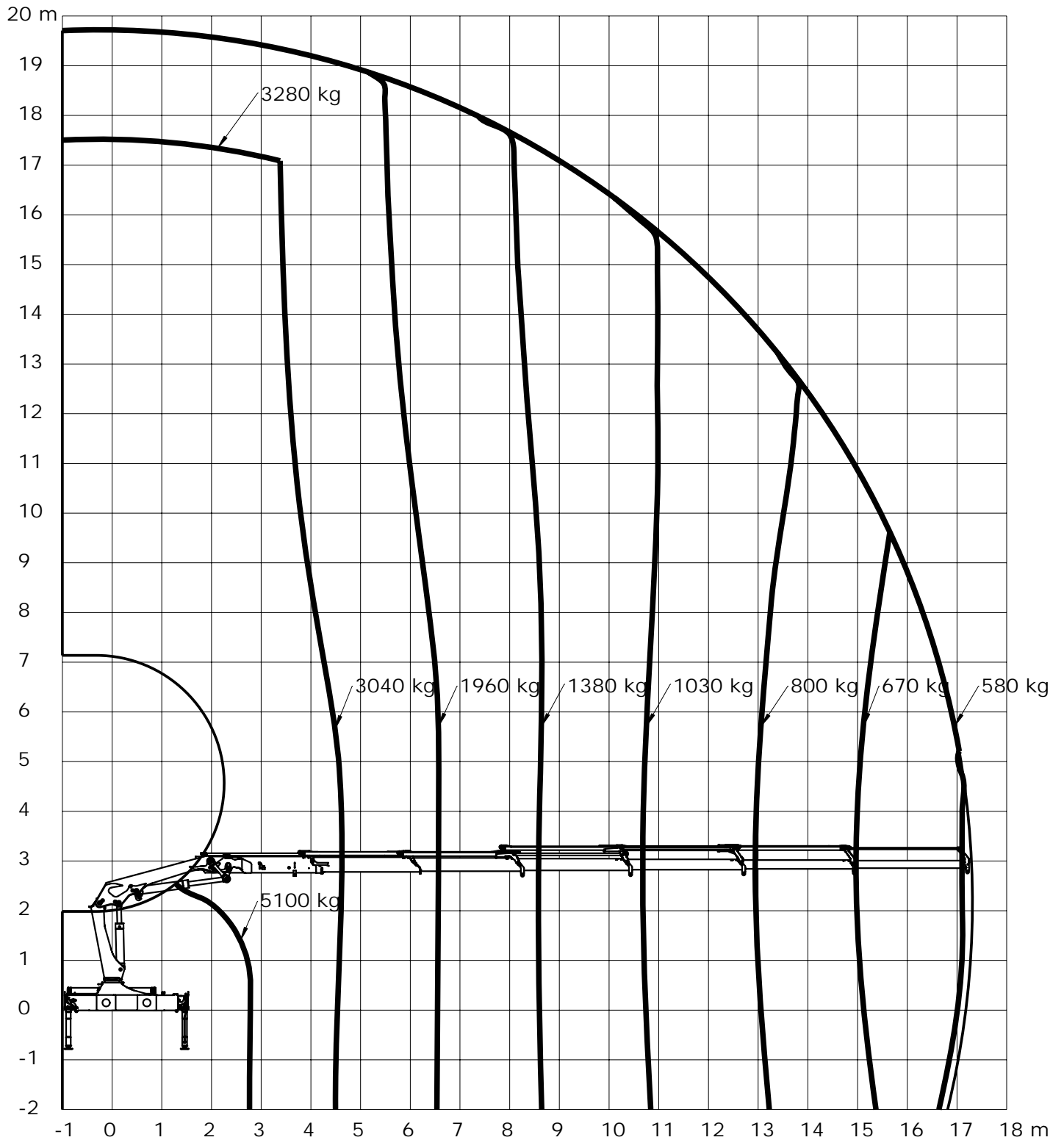


Technical Information 1730-K



Lifting capacity diagram, K6

Catalogue no.	Section
31 087	226
Date	Page
05-07-2007	1 (1)



Loading group: EN12999 H1/B3

