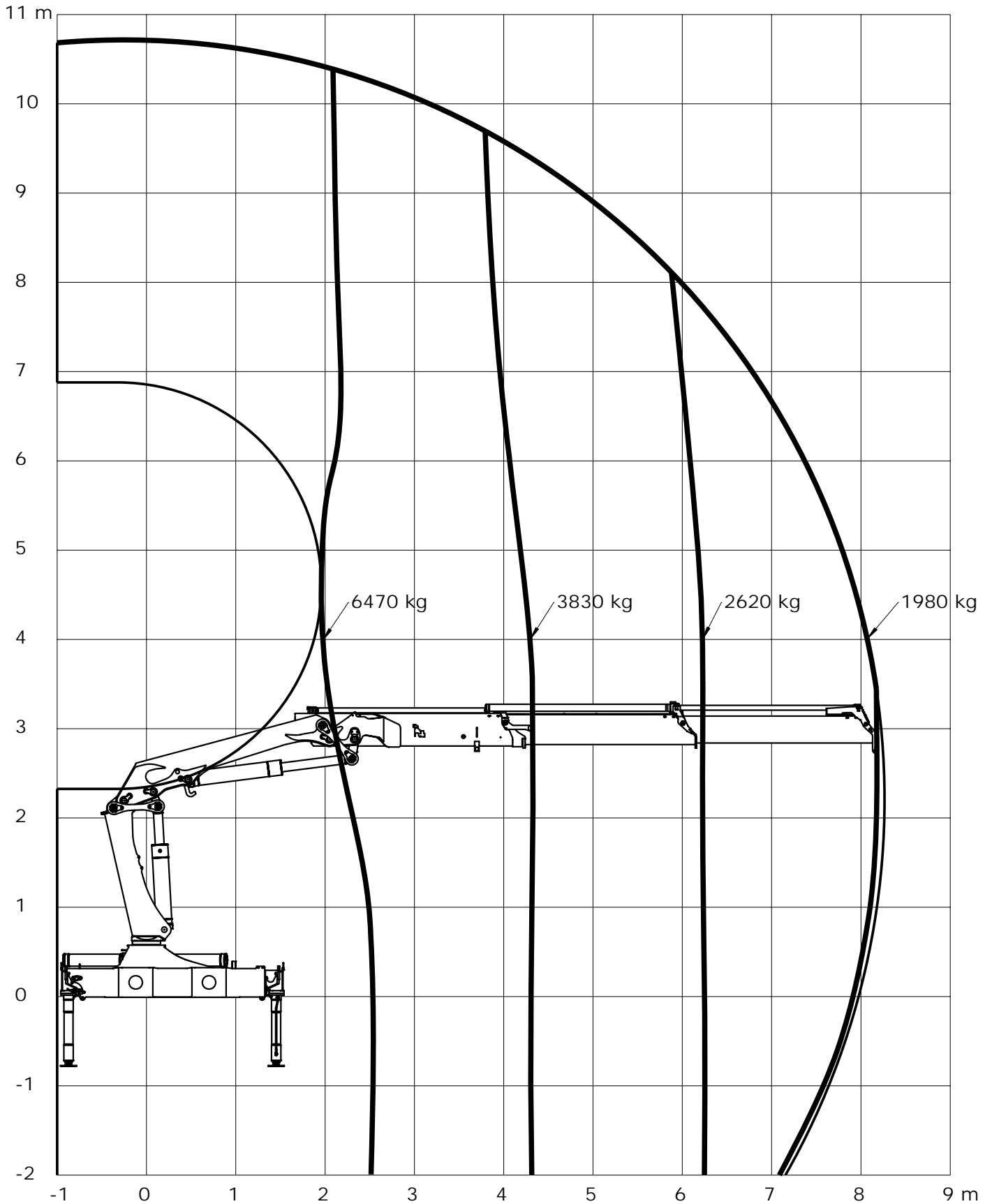


Technical Information 1800-K



Lifting capacity diagram, K2

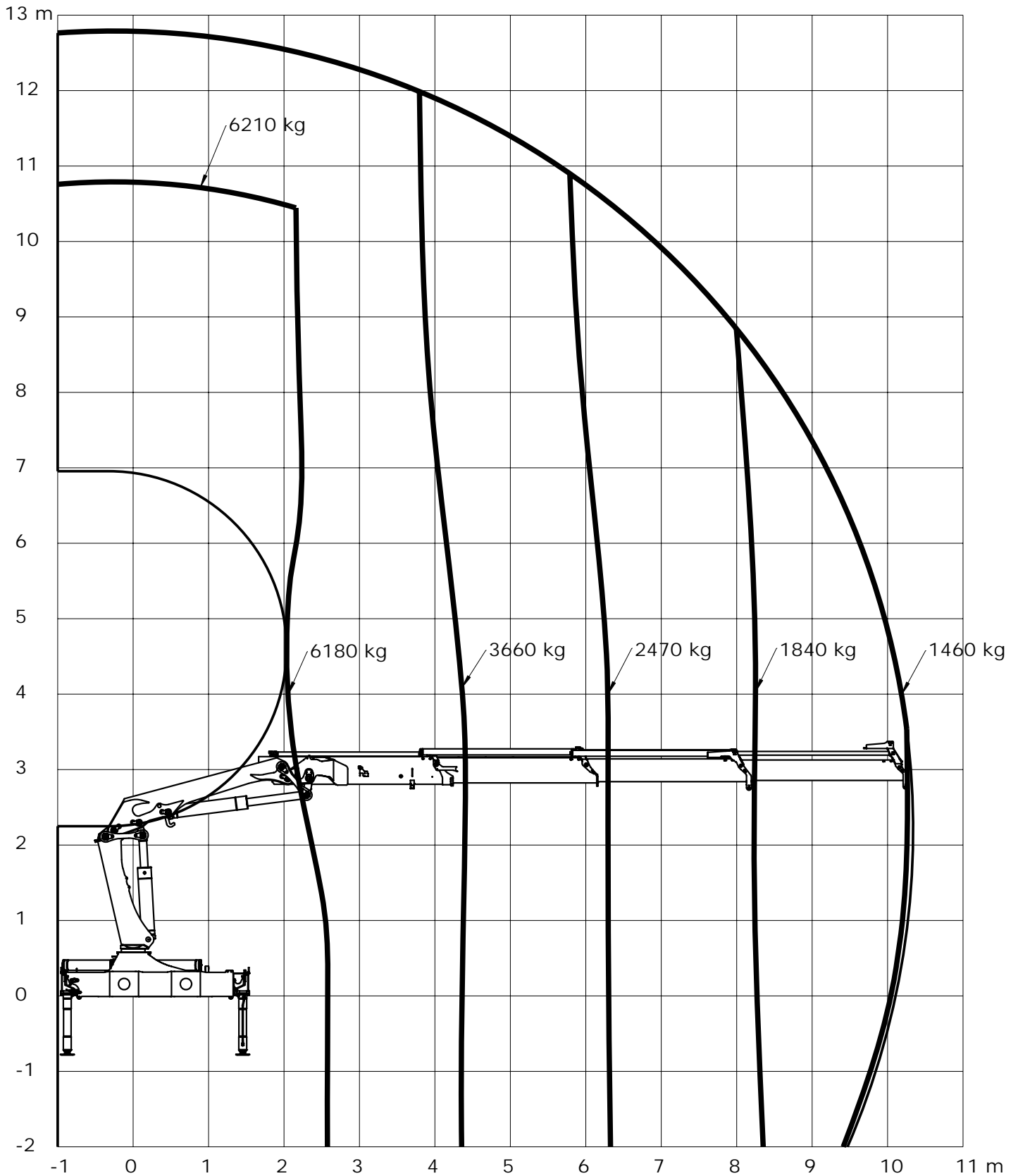
Catalogue no.	Section
31 088	22
Date	Page
01-03-2008	1 (1)



Loading group: EN12999 H1/B3

Lifting capacity diagram, K3

Catalogue no.	Section
31 088	23
Date	Page
01-03-2008	1 (1)

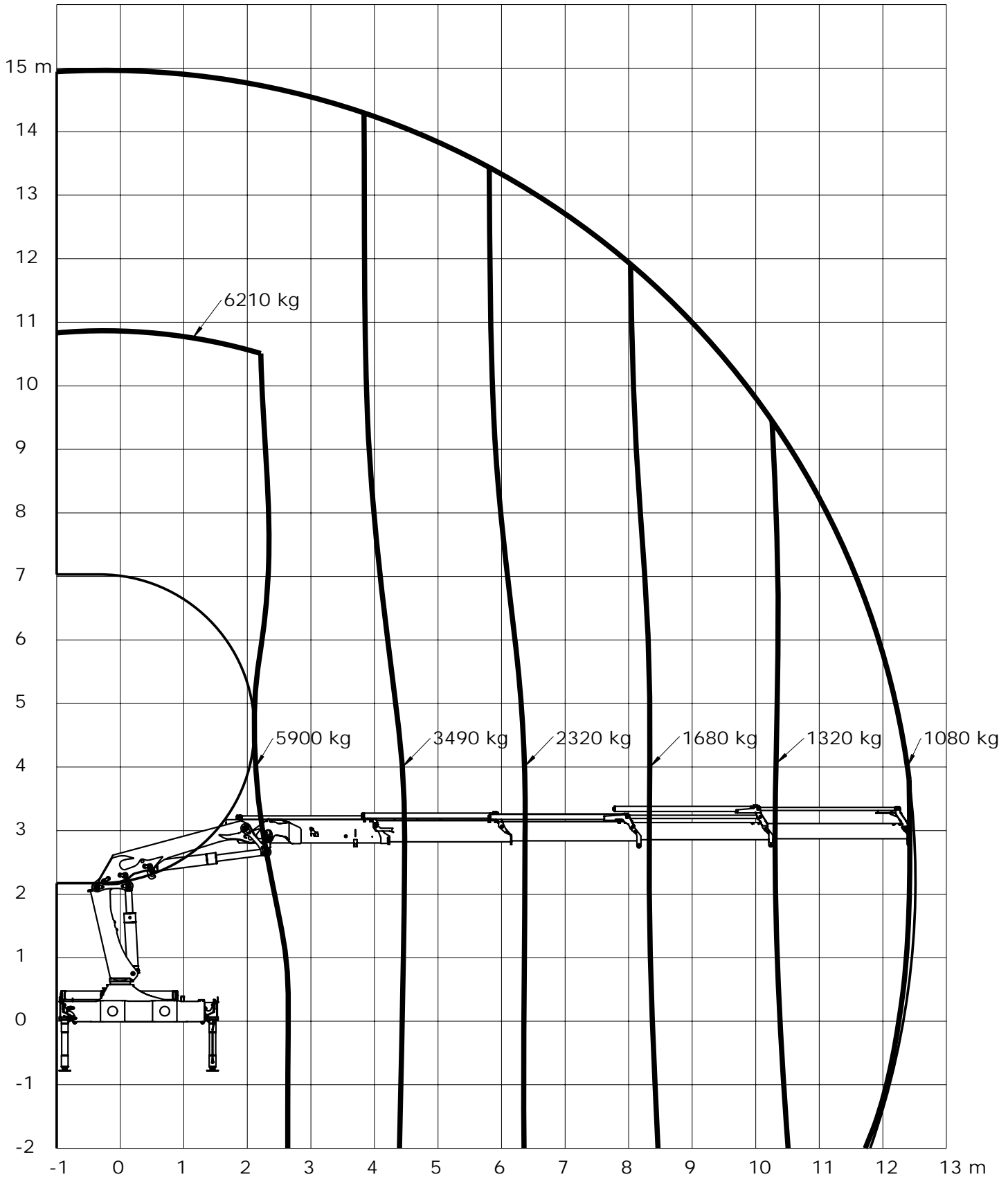


Loading group: EN12999 H1/B3



Lifting capacity diagram, K4

Catalogue no.	Section
31 088	24
Date	Page
01-03-2008	1 (1)



Loading group: EN12999 H1/B3

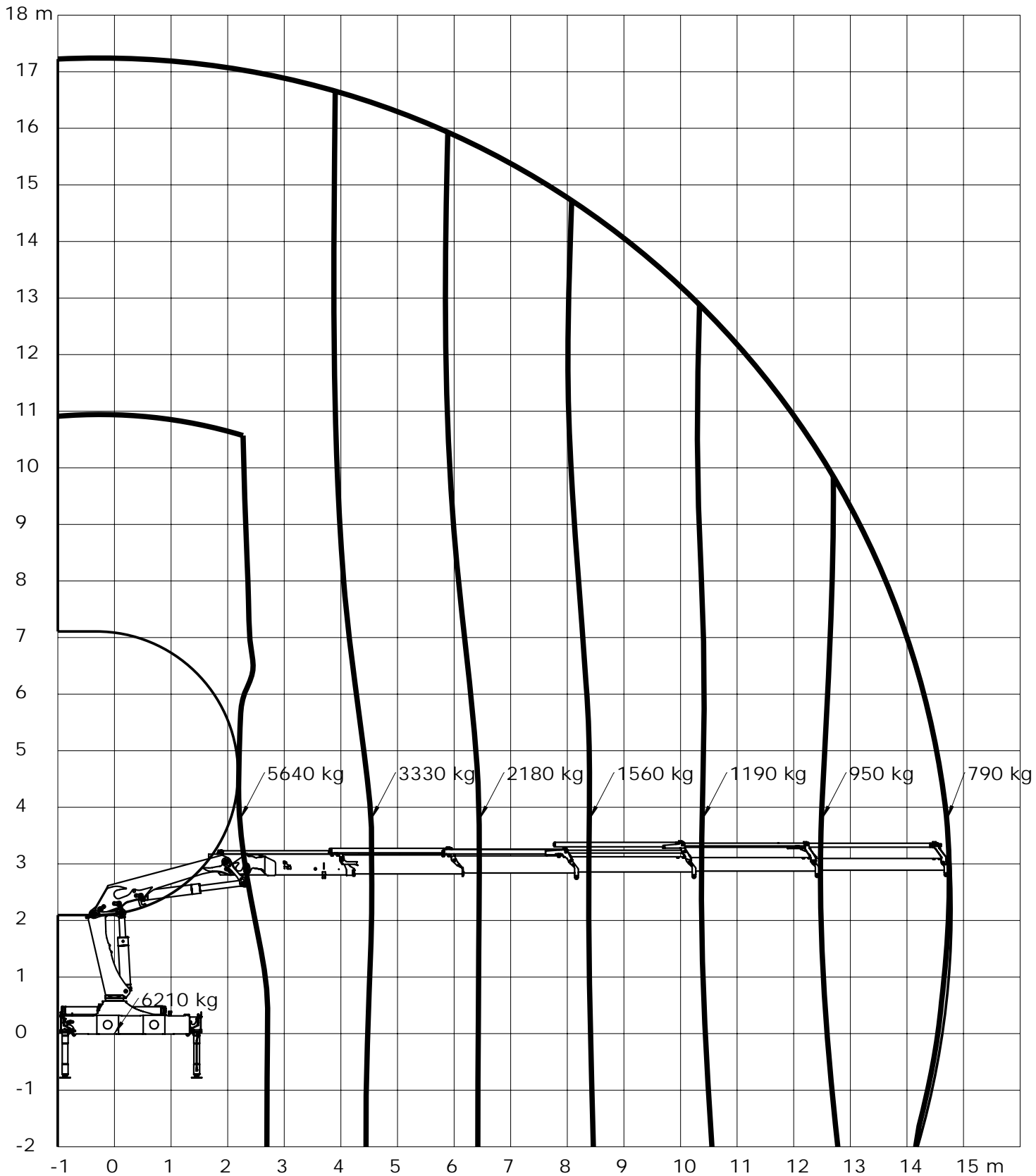


Technical Information 1800-K



Lifting capacity diagram, K5

Catalogue no.	Section
31 088	25
Date	Page
18-09-2008	1 (1)



Loading group: EN12999 H1/B3

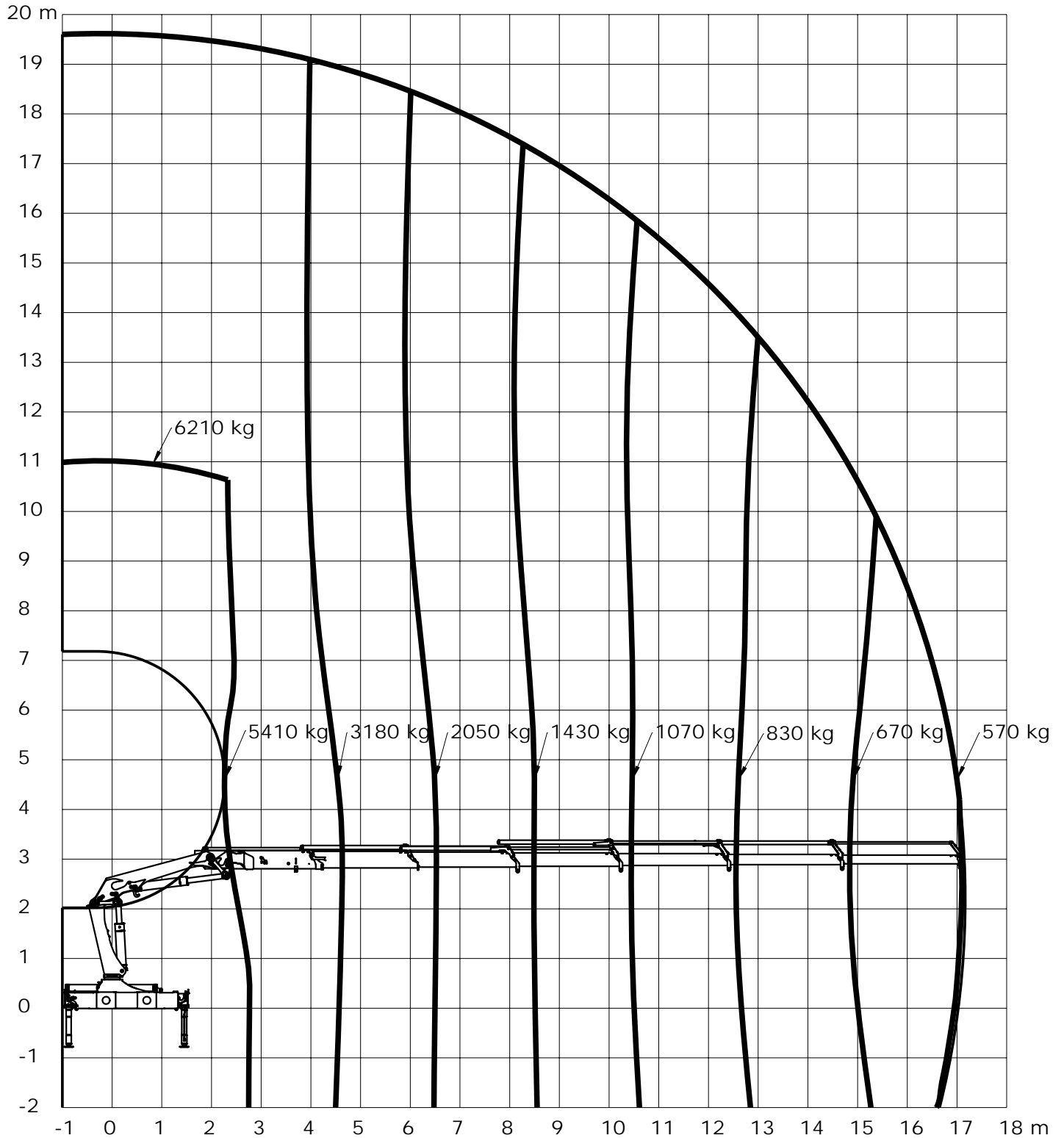


Technical Information 1800-K



Lifting capacity diagram, K6

Catalogue no.	Section
31 088	26
Date	Page
01-03-2008	1 (1)

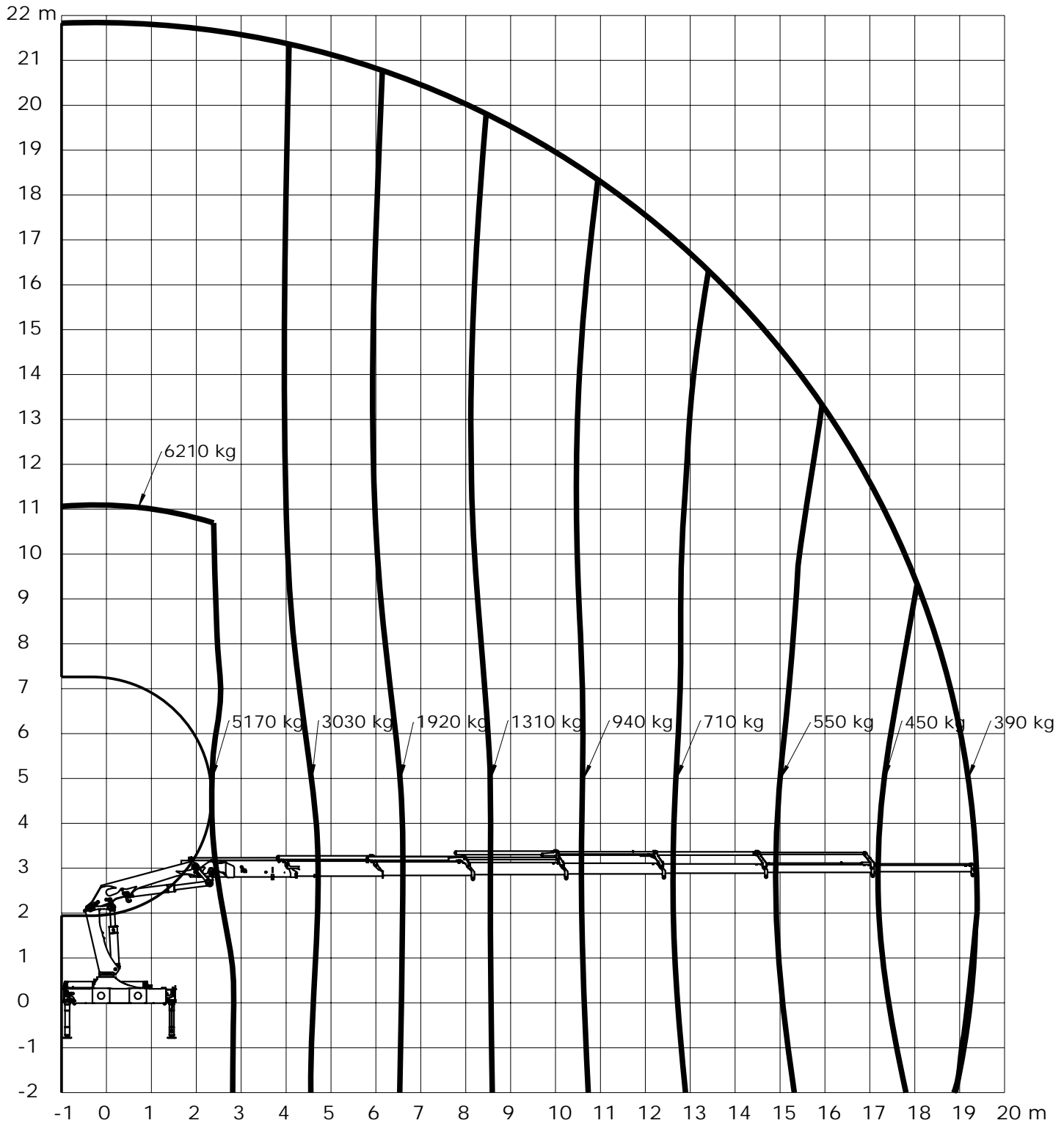


Loading group: EN12999 H1/B3



Lifting capacity diagram, K7

Catalogue no.	Section
31 088	27
Date	Page
01-03-2008	1 (1)

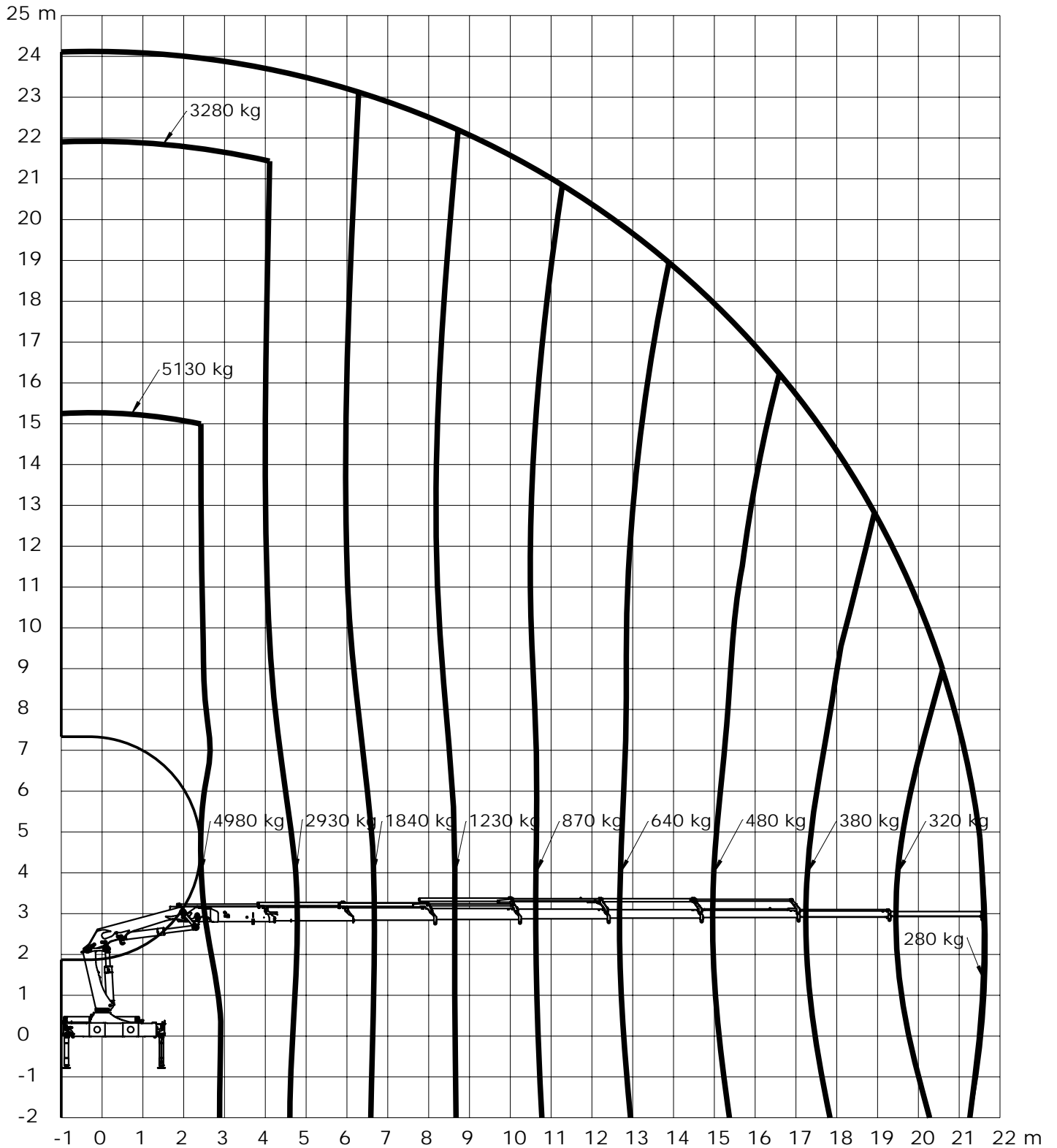


Loading group: EN12999 H1/B3



Lifting capacity diagram, K8

Catalogue no.	Section
31 088	28
Date	Page
01-03-2008	1 (1)



Loading group: EN12999 H1/B3

