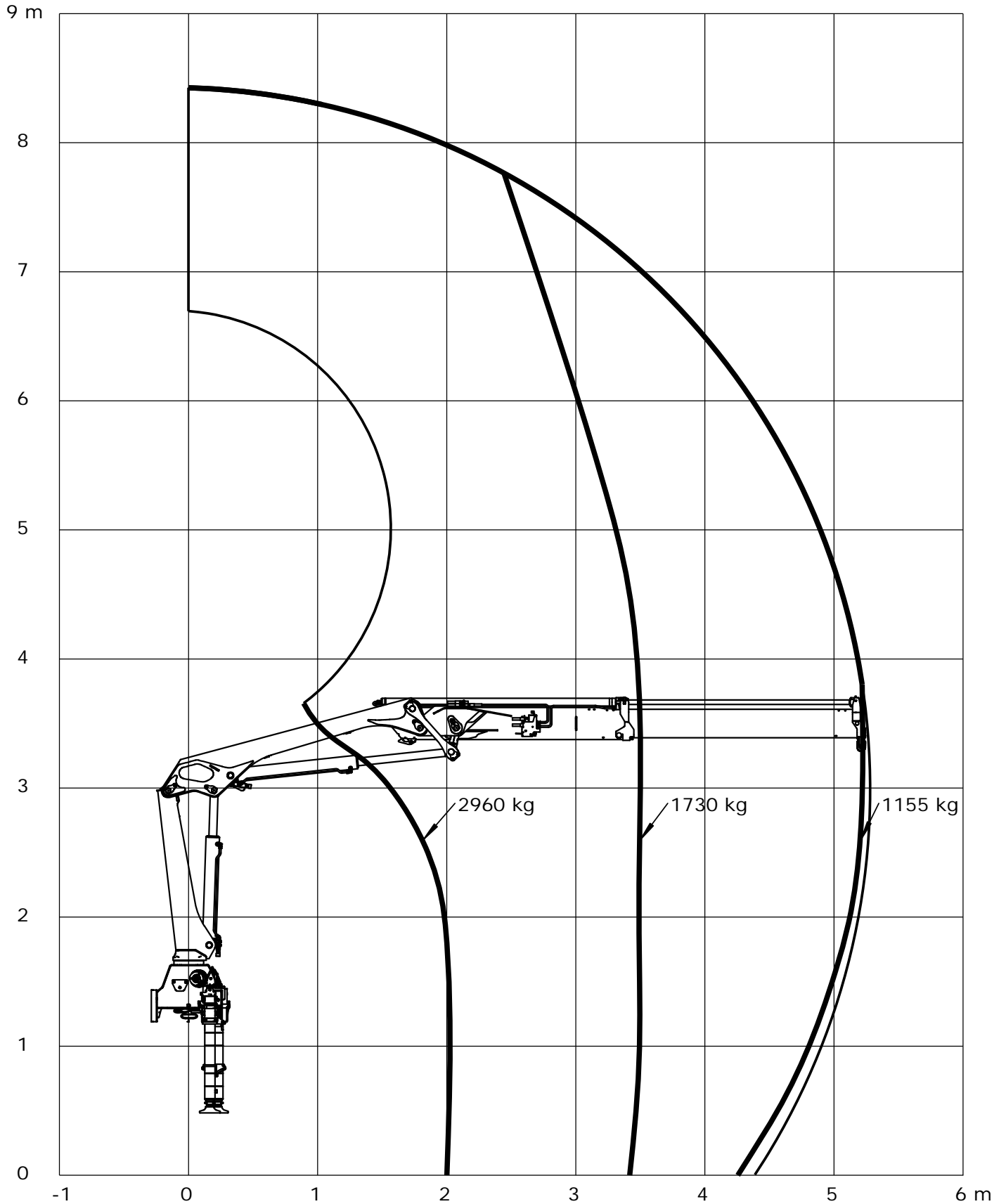


## Lifting capacity diagram, K1

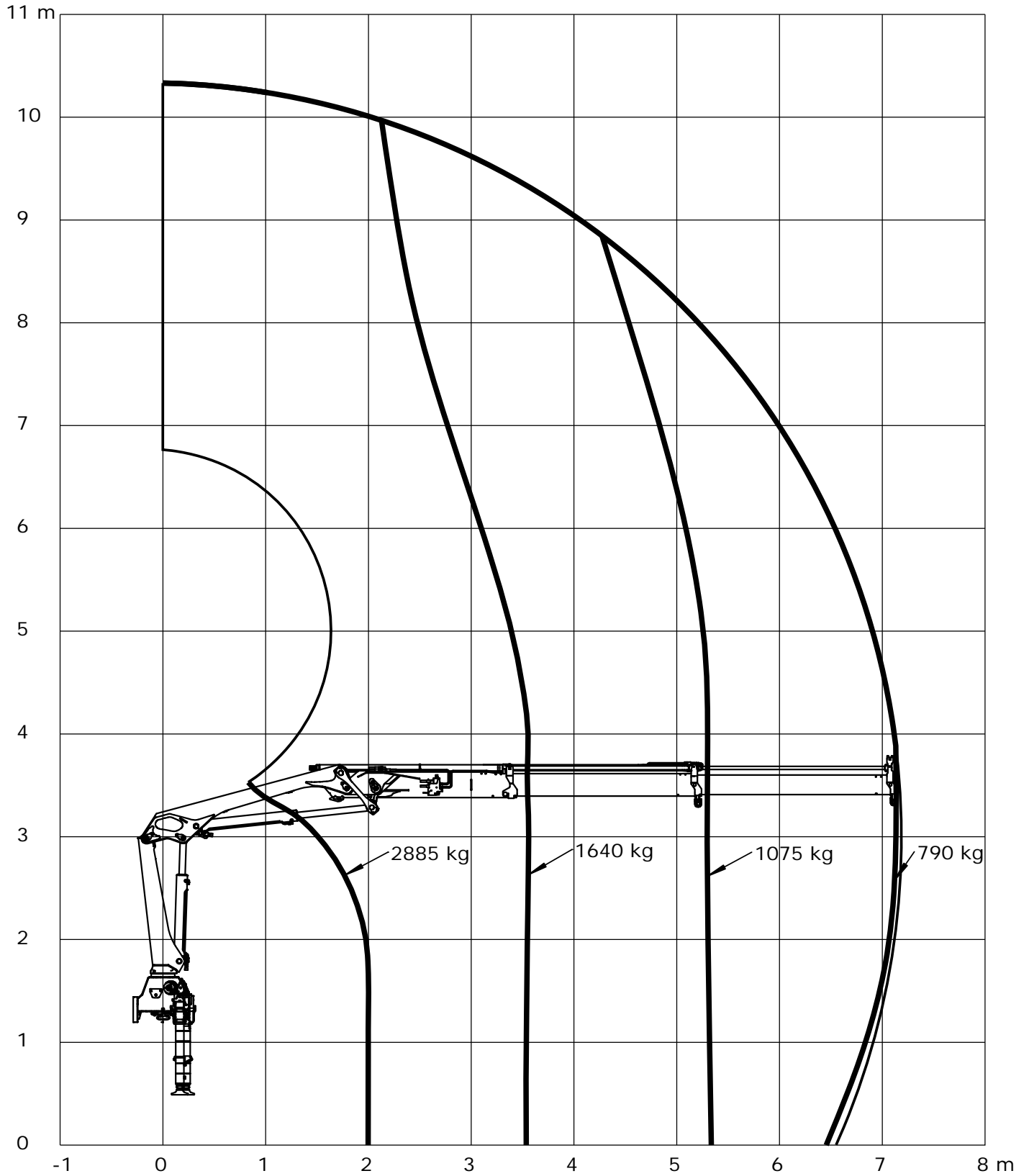
Catalogue no.	Section
31 120	221
Date	Page
12-04-2016	1 (1)



Loading group: EN12999 HC1 HD4/B3

## Lifting capacity diagram, K2

Catalogue no.	Section
31 120	222
Date	Page
12-04-2016	1 (1)

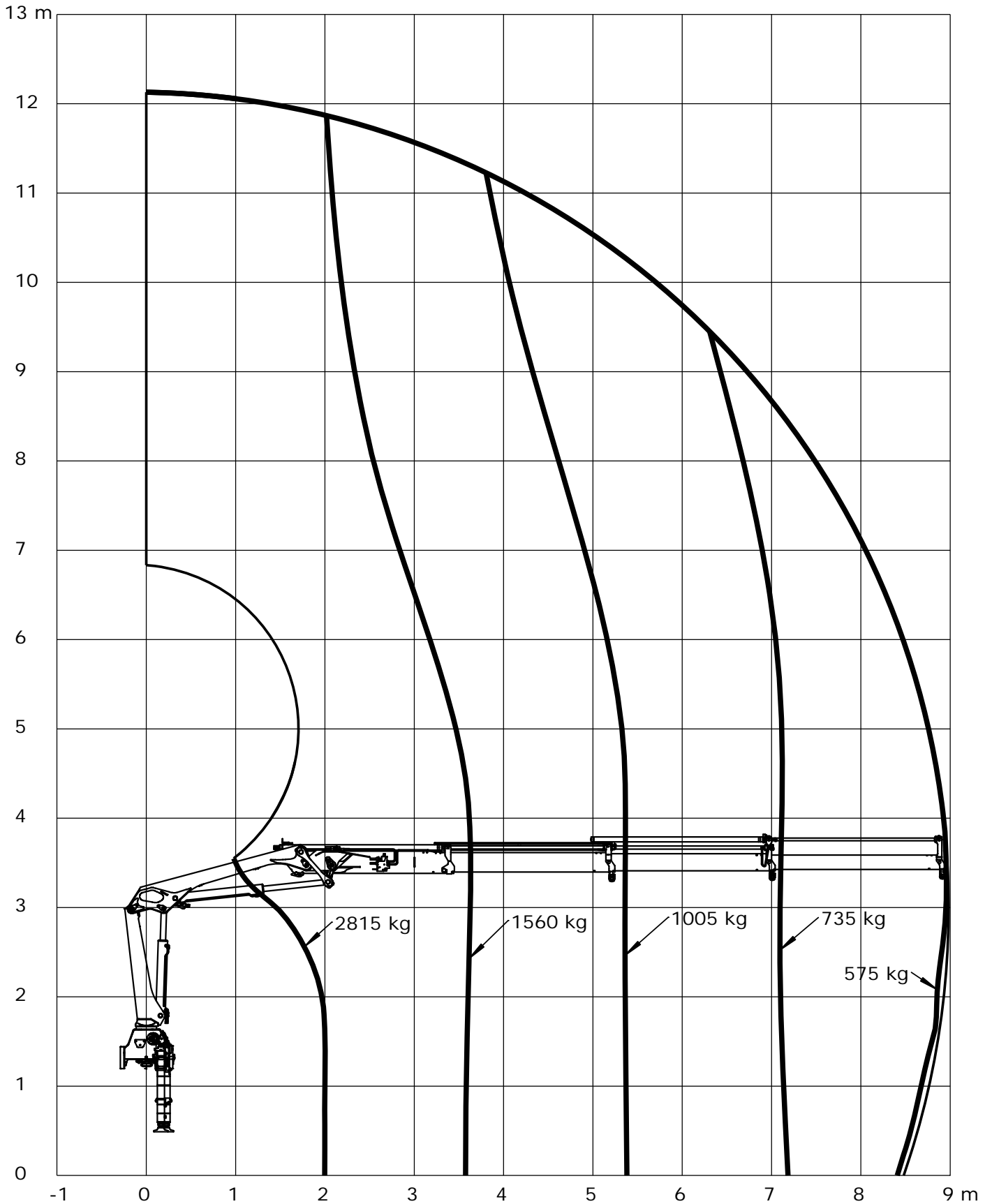


Loading group: EN12999 HC1 HD4/B3



## Lifting capacity diagram, K3

Catalogue no.	Section
31 120	223
Date	Page
12-04-2016	1 (1)

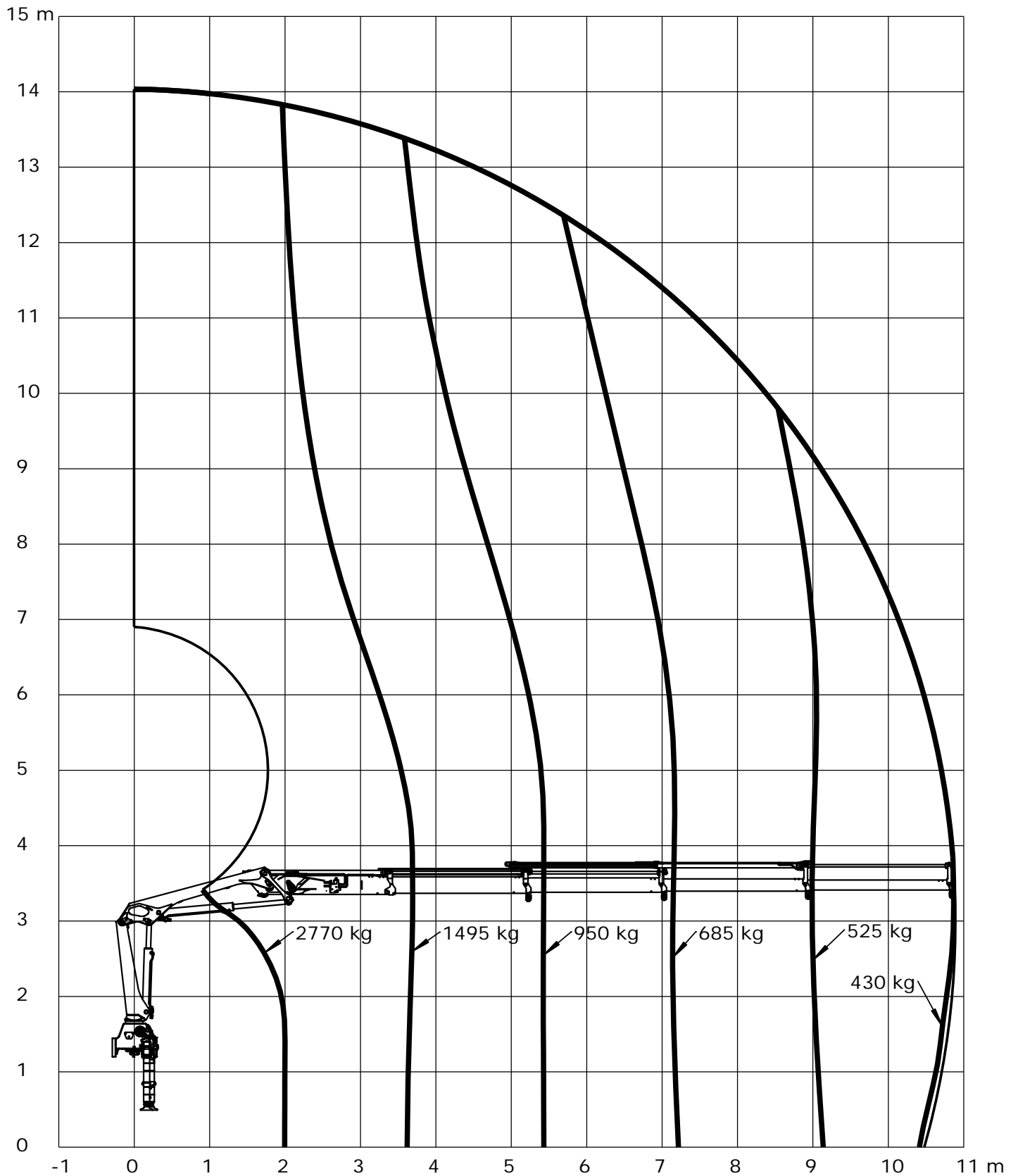


Loading group: EN12999 HC1 HD4/B3



## Lifting capacity diagram, K4

Catalogue no.	Section
31 120	224
Date	Page
12-04-2016	1 (1)



Loading group: EN12999 HC1 HD4/B3

