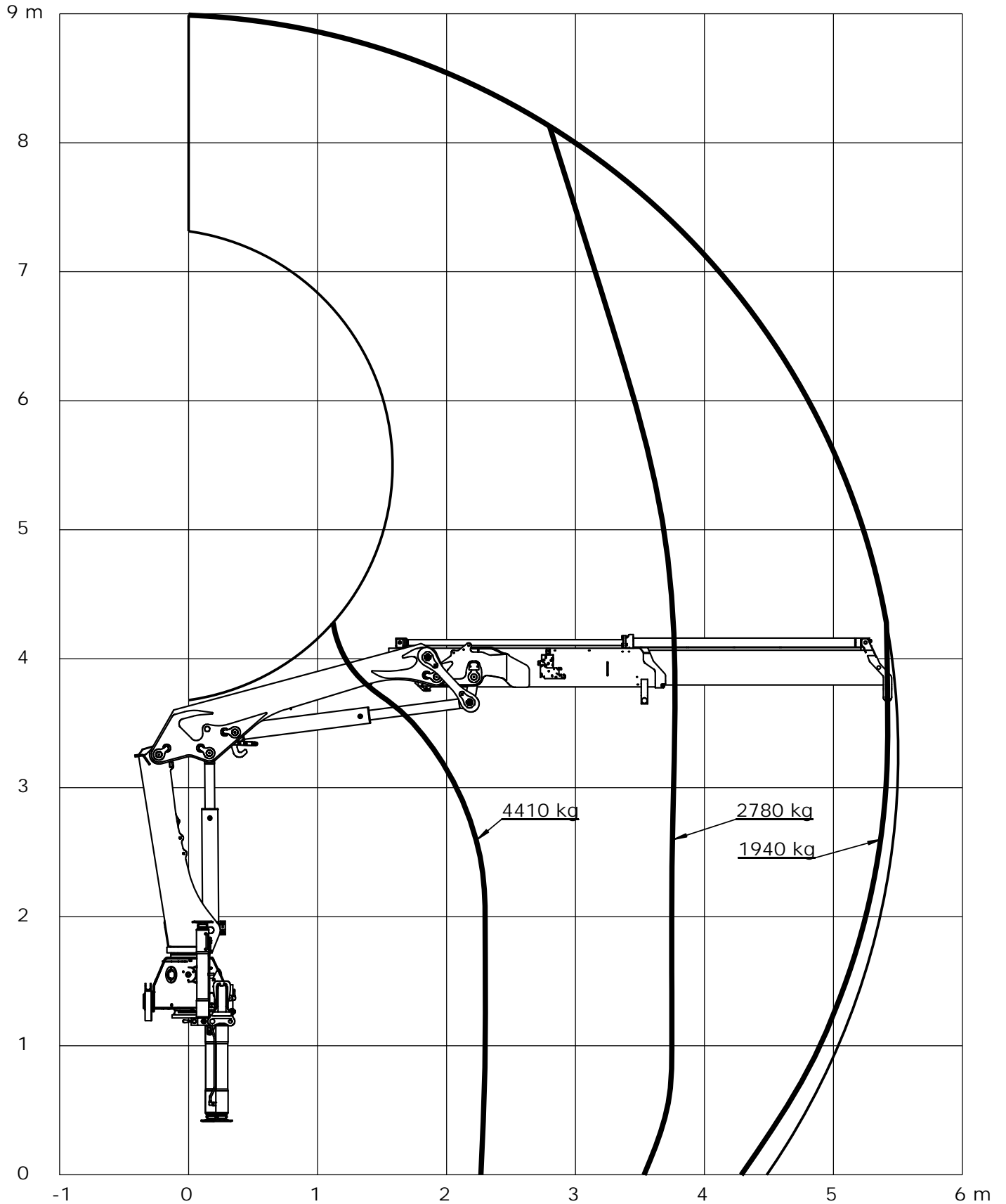


## Lifting capacity diagram, K1

Catalogue no.	Section
31 103	321
Date	Page
20-06-2013	1 (1)

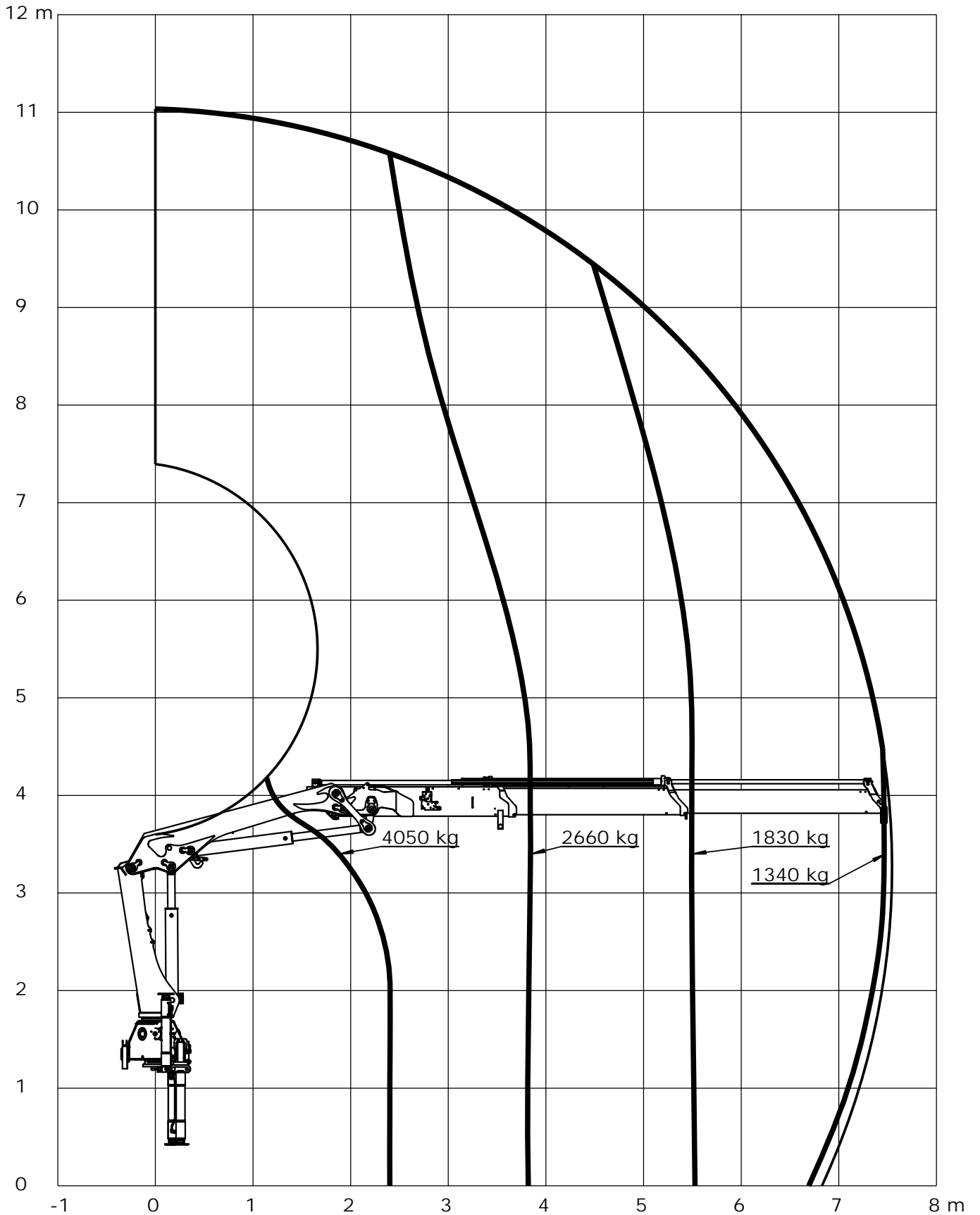


Loading group: EN12999 HC1 HD5/B3



## Lifting capacity diagram, K2

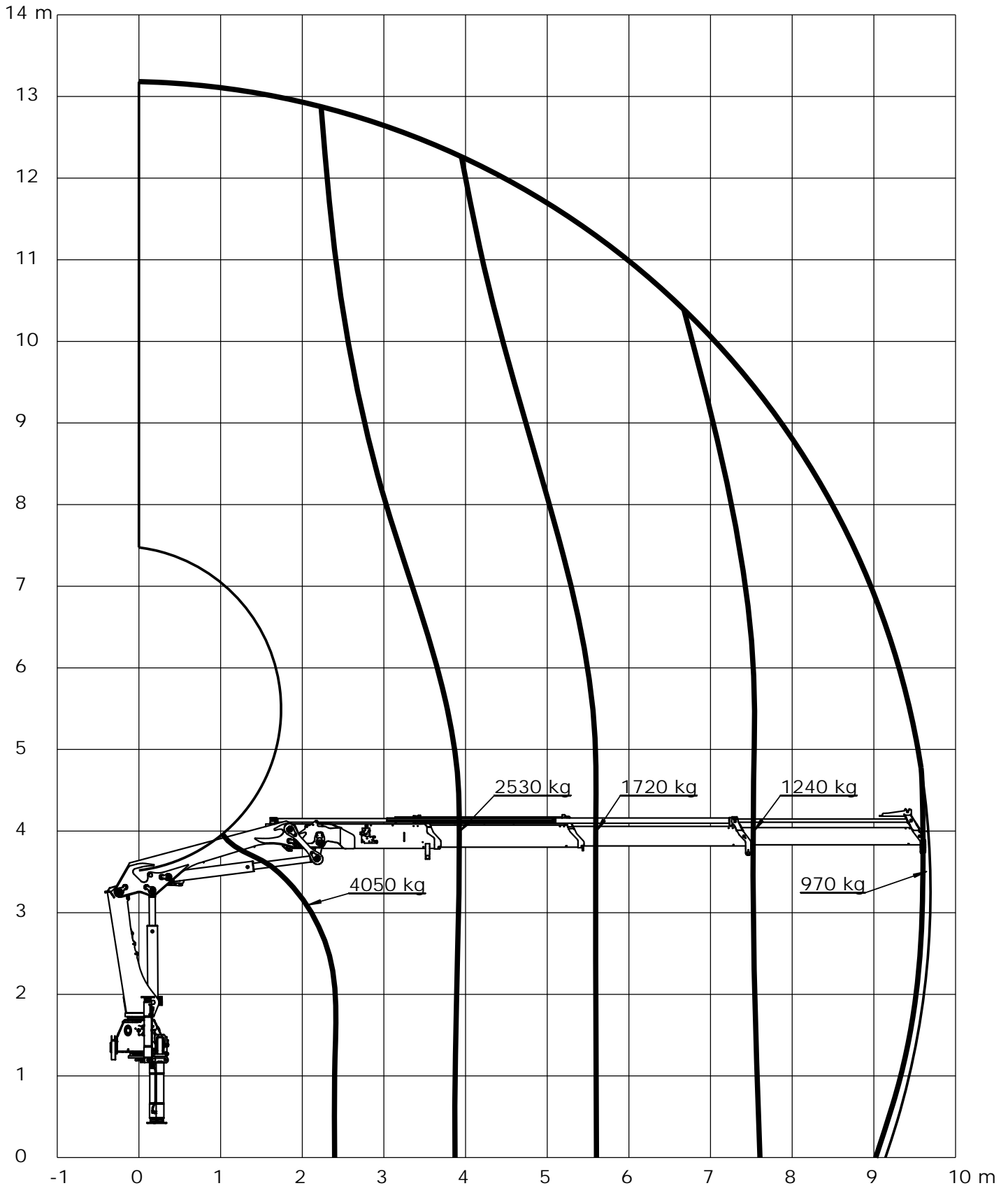
Catalogue no.	Section
31 103	322
Date	Page
20-06-2013	1 (1)



Loading group: EN12999 HC1 HD5/B3

## Lifting capacity diagram, K3

Catalogue no.	Section
31 103	323
Date	Page
20-06-2013	1 (1)

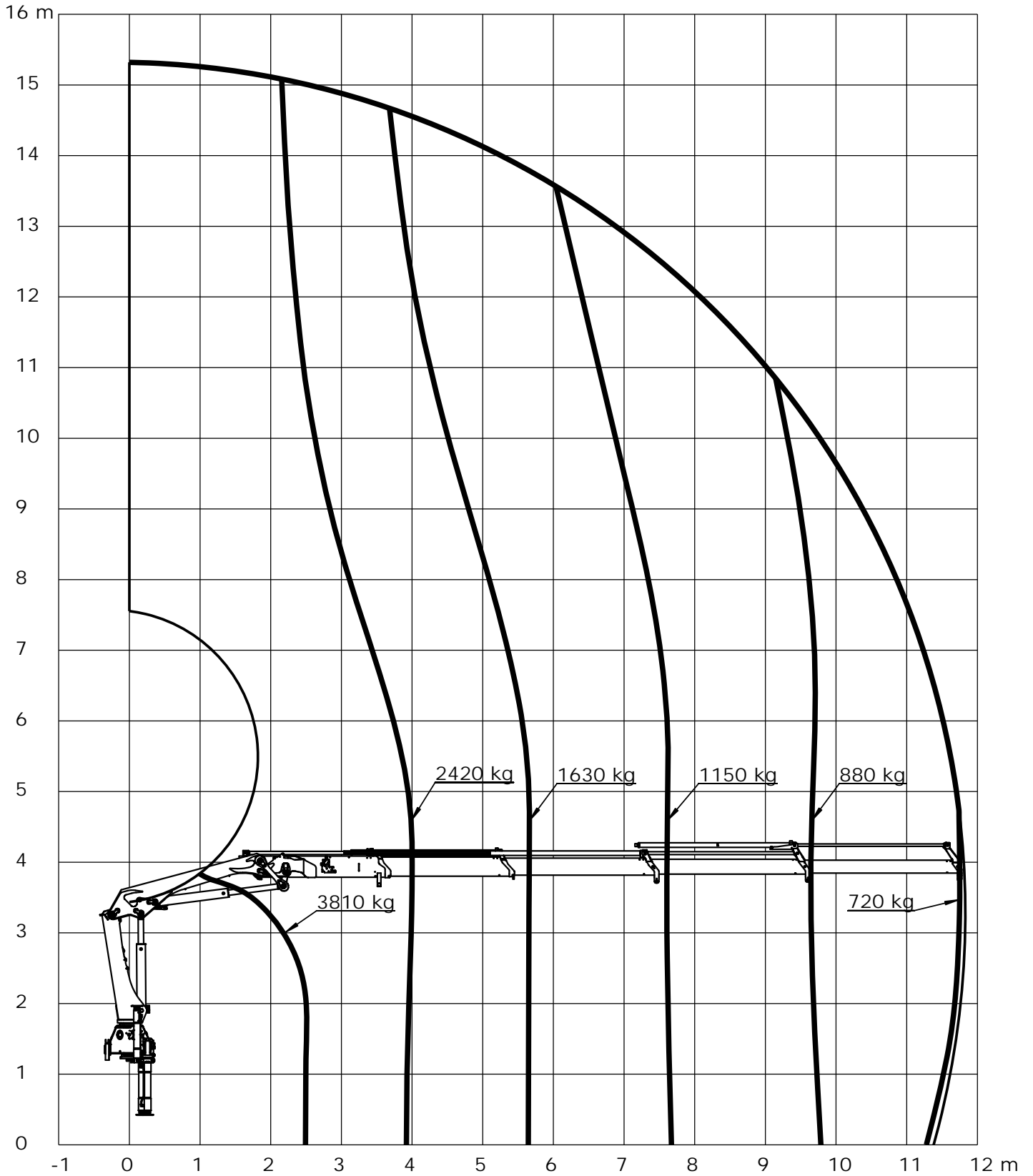


Loading group: EN12999 HC1 HD5/B3



## Lifting capacity diagram, K4

Catalogue no.	Section
31 103	324
Date	Page
20-06-2013	1 (1)

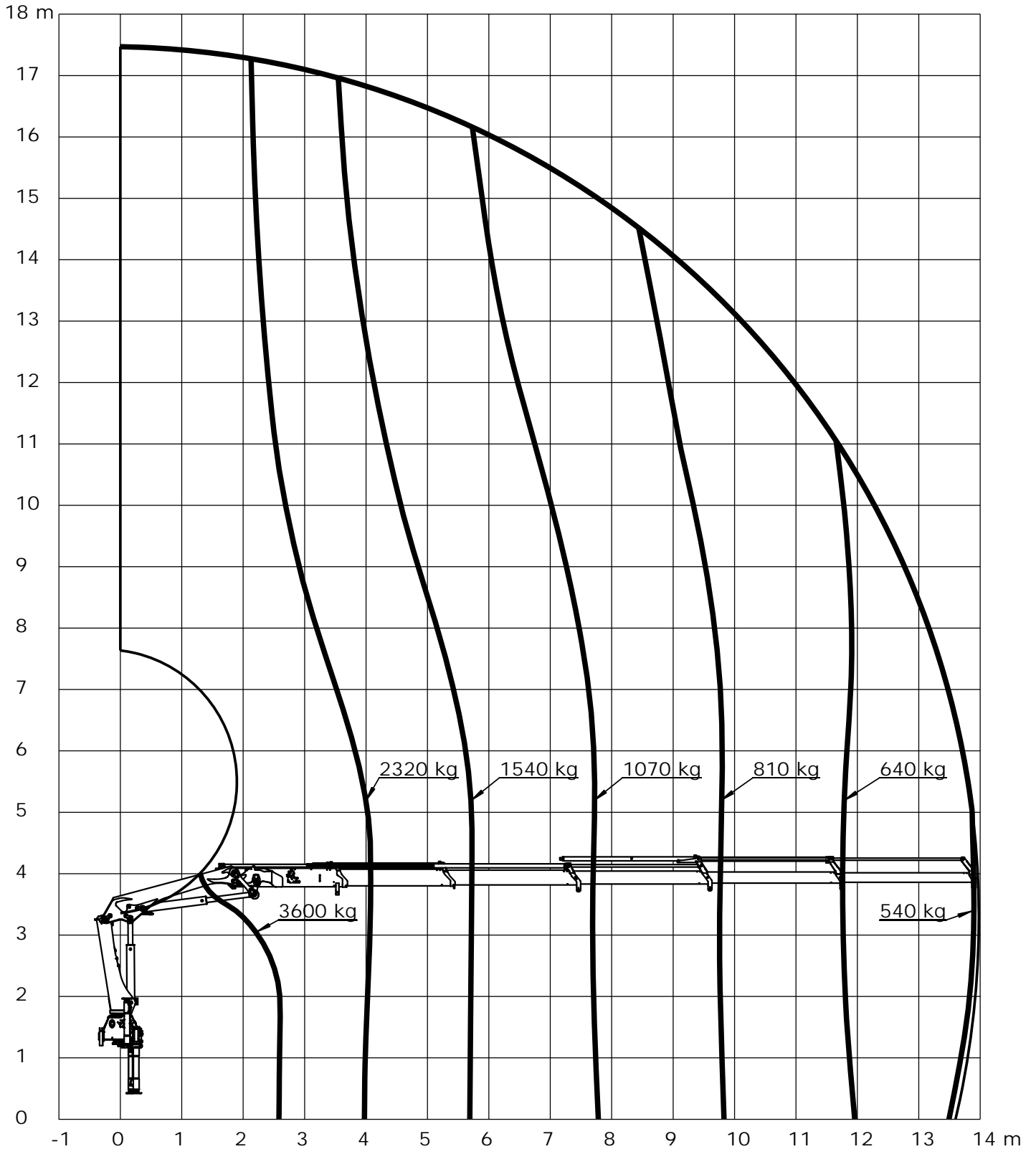


Loading group: EN12999 HC1 HD5/B3



## Lifting capacity diagram, K5

Catalogue no.	Section
31 103	325
Date	Page
20-06-2013	1 (1)



Loading group: EN12999 HC1 HD5/B3

