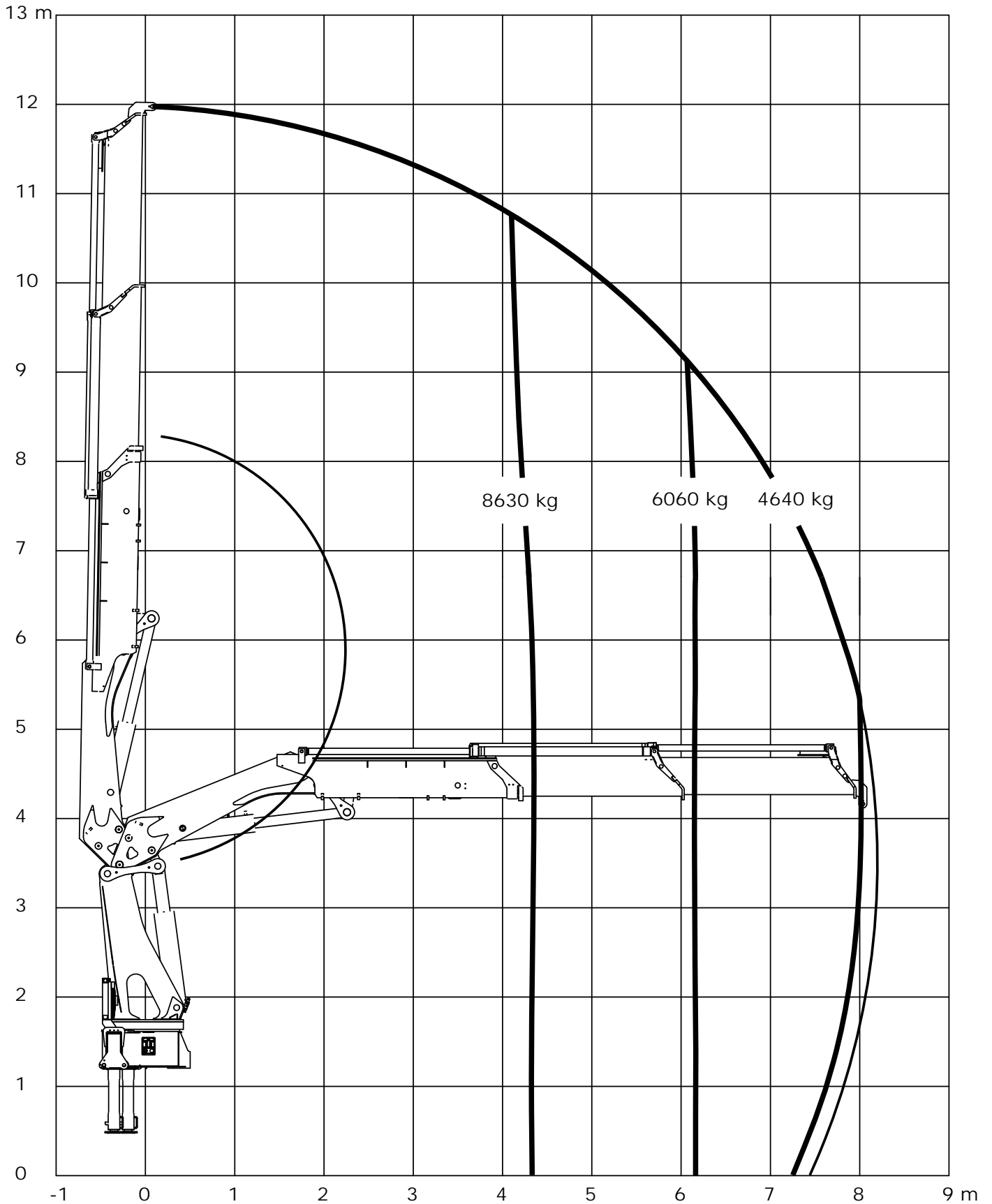


## Lifting capacity diagram, K2

Catalogue no.	Section
31 108	22
Date	Page
26-03-2012	1 (1)

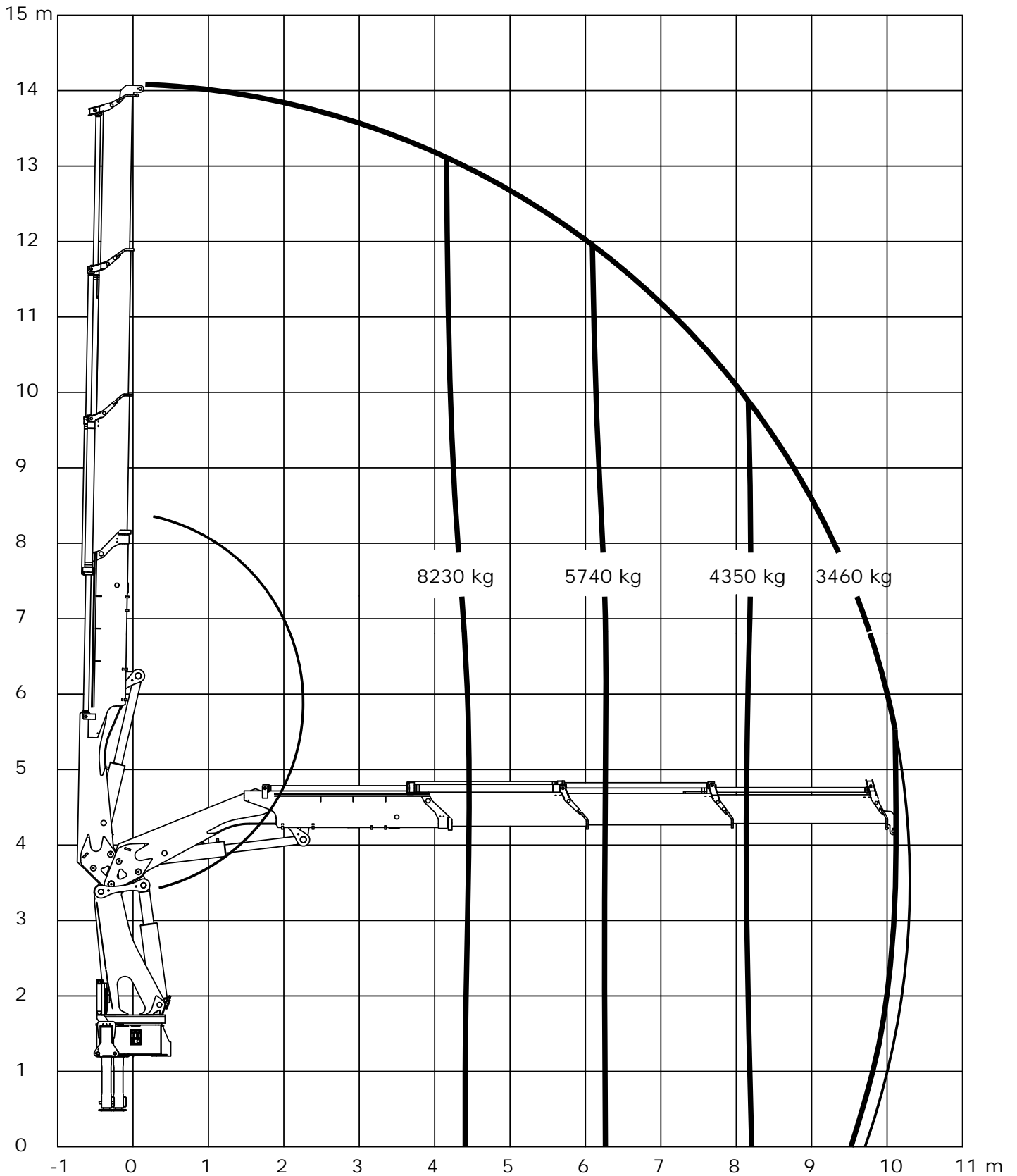


Loading group: EN12999 H1/B3



## Lifting capacity diagram, K3

Catalogue no.	Section
31 108	23
Date	Page
28-03-2012	1 (1)

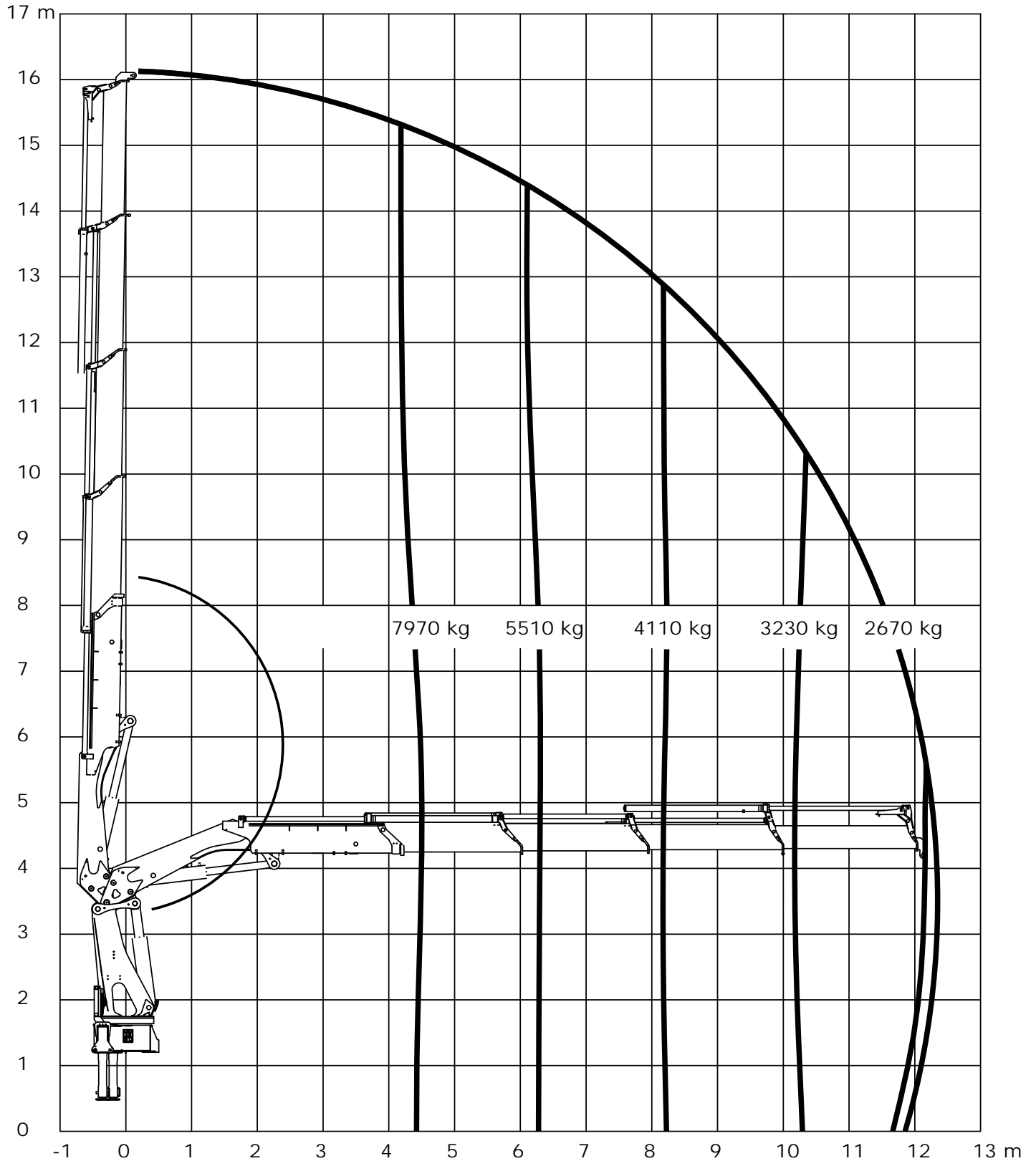


Loading group: EN12999 H1/B3



## Lifting capacity diagram, K4

Catalogue no.	Section
31 108	24
Date	Page
28-03-2012	1 (1)

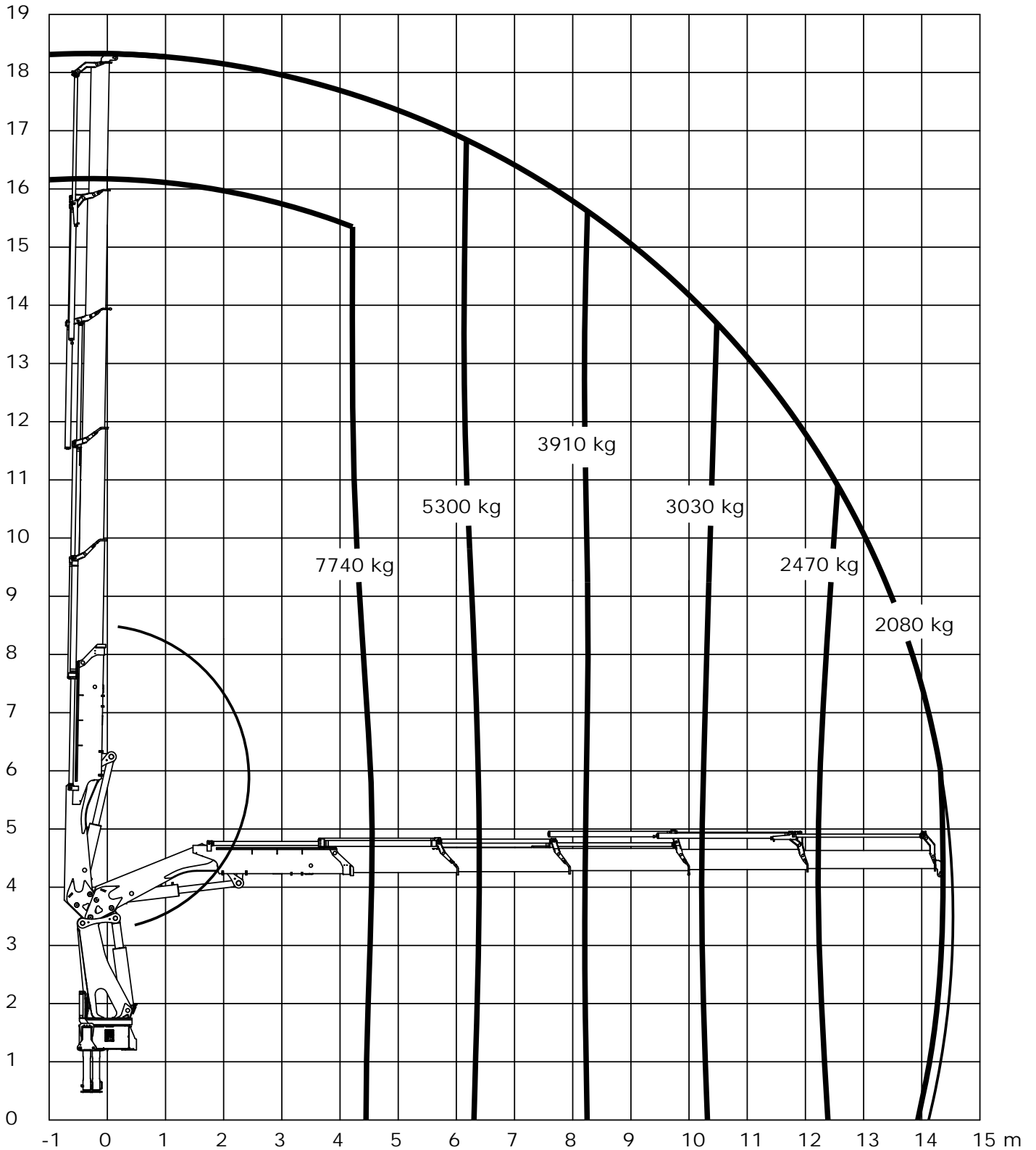


Loading group: EN12999 H1/B3



## Lifting capacity diagram, K5

Catalogue no.	Section
31 108	25
Date	Page
28-03-2012	1 (1)

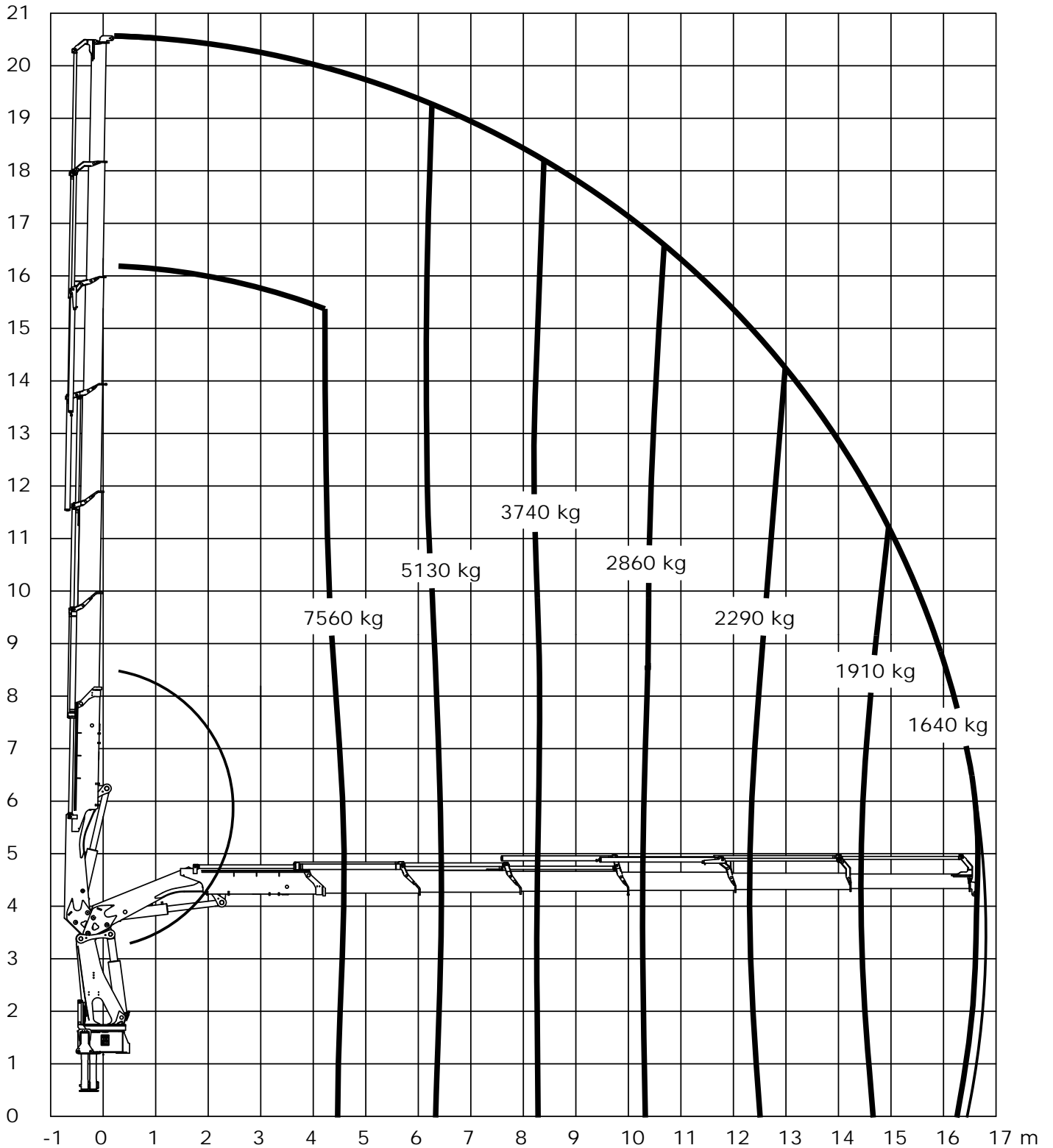


Loading group: EN12999 H1/B3



## Lifting capacity diagram, K6

Catalogue no.	Section
31 108	26
Date	Page
26-03-2012	1 (1)

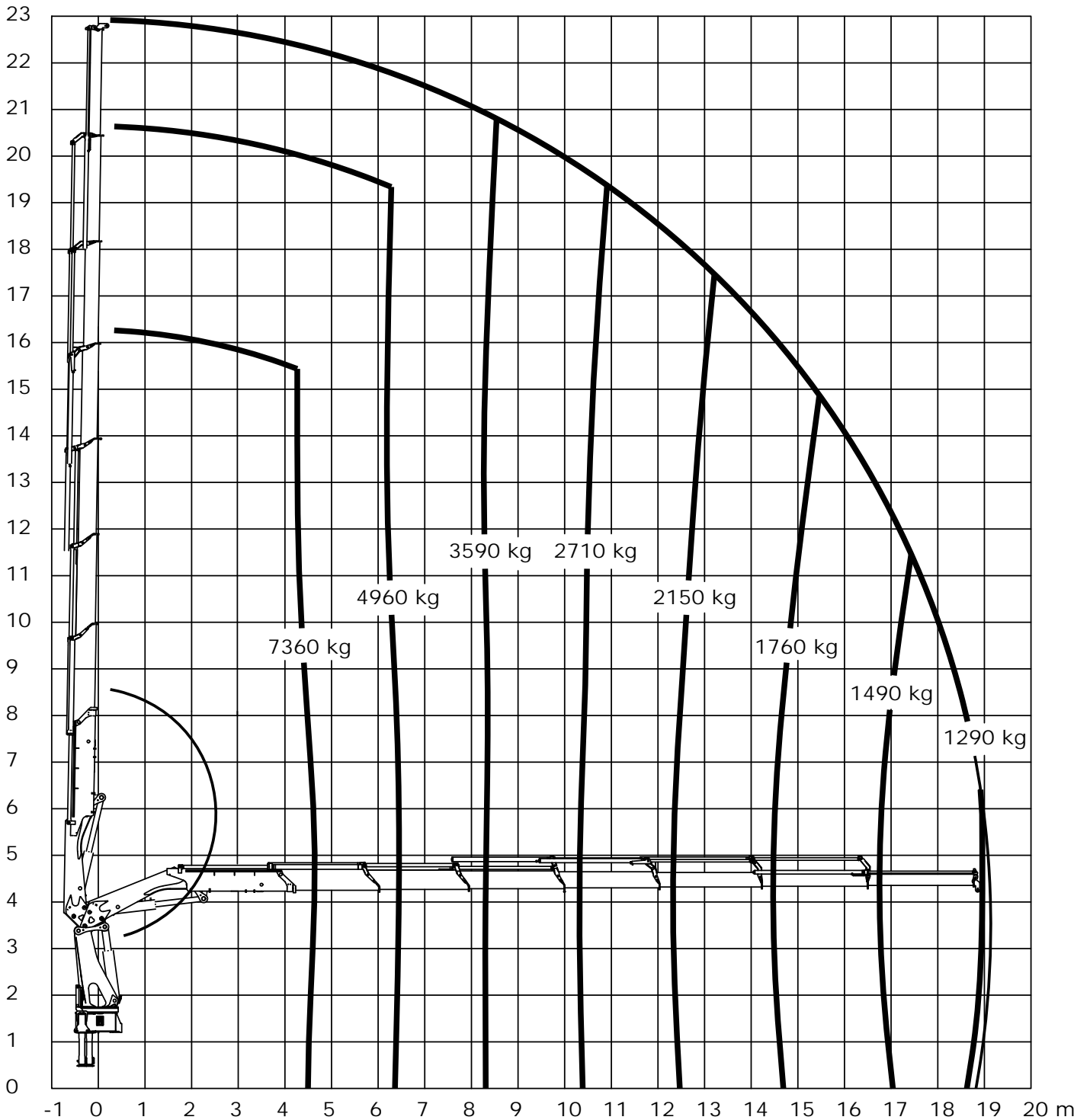


Loading group: EN12999 H1/B3



## Lifting capacity diagram, K7

Catalogue no.	Section
31 108	27
Date	Page
28-03-2012	1 (1)

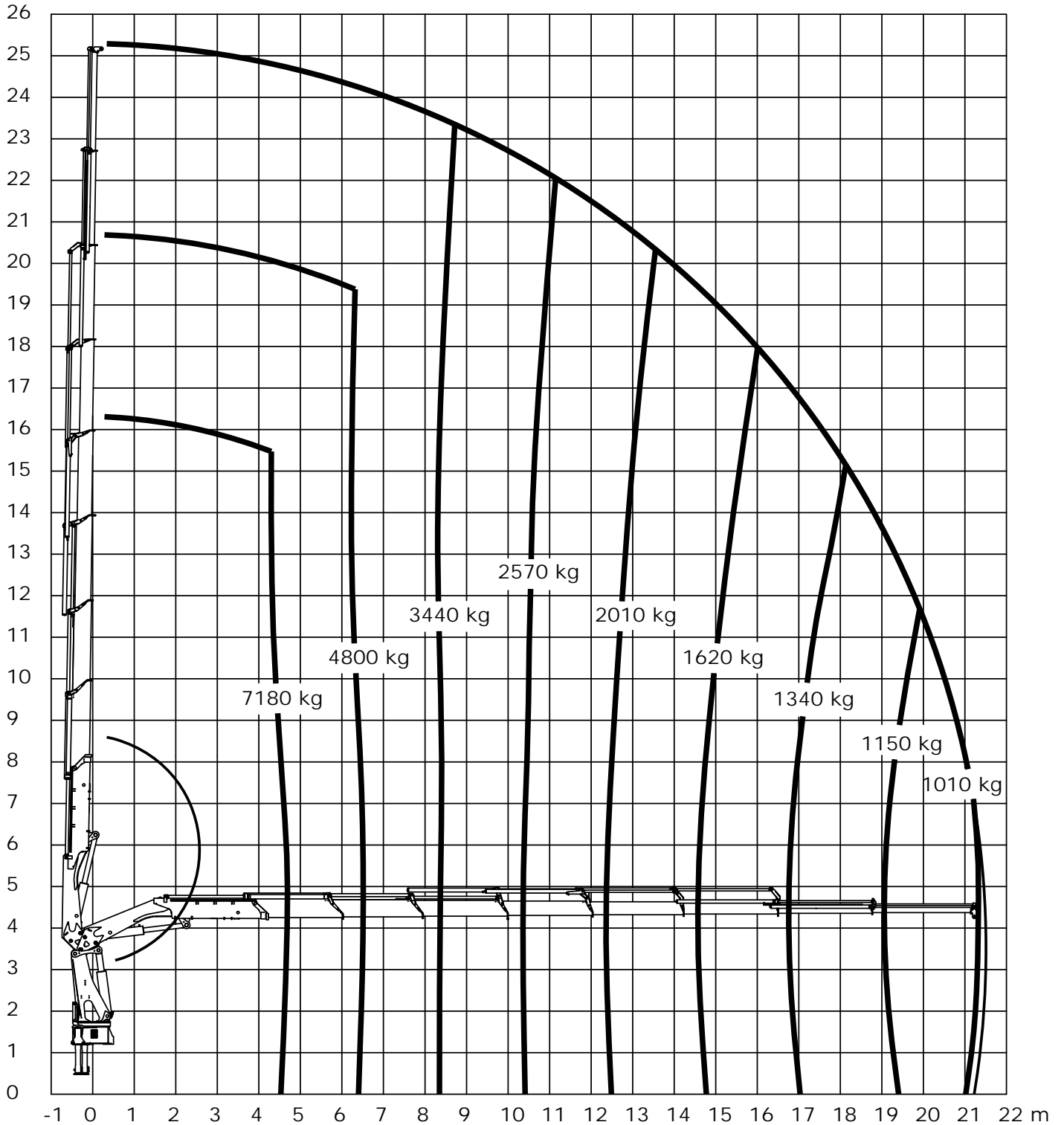


Loading group: EN12999 H1/B3



## Lifting capacity diagram, K8

Catalogue no.	Section
31 108	28
Date	Page
28-03-2012	1 (1)

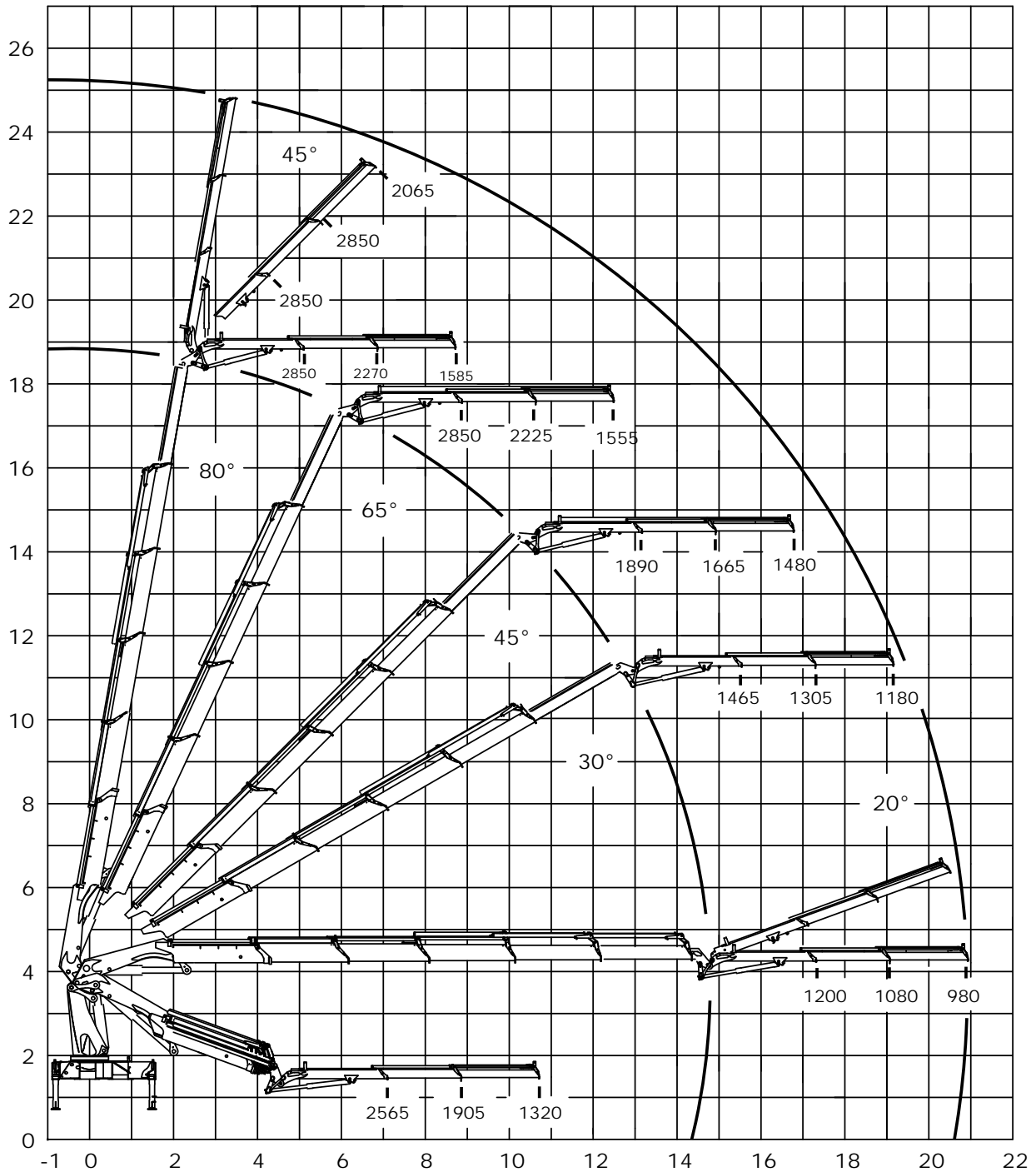


Loading group: EN12999 H1/B3



## Lifting capacity diagram, 4020-K5 with FJ1000 K2

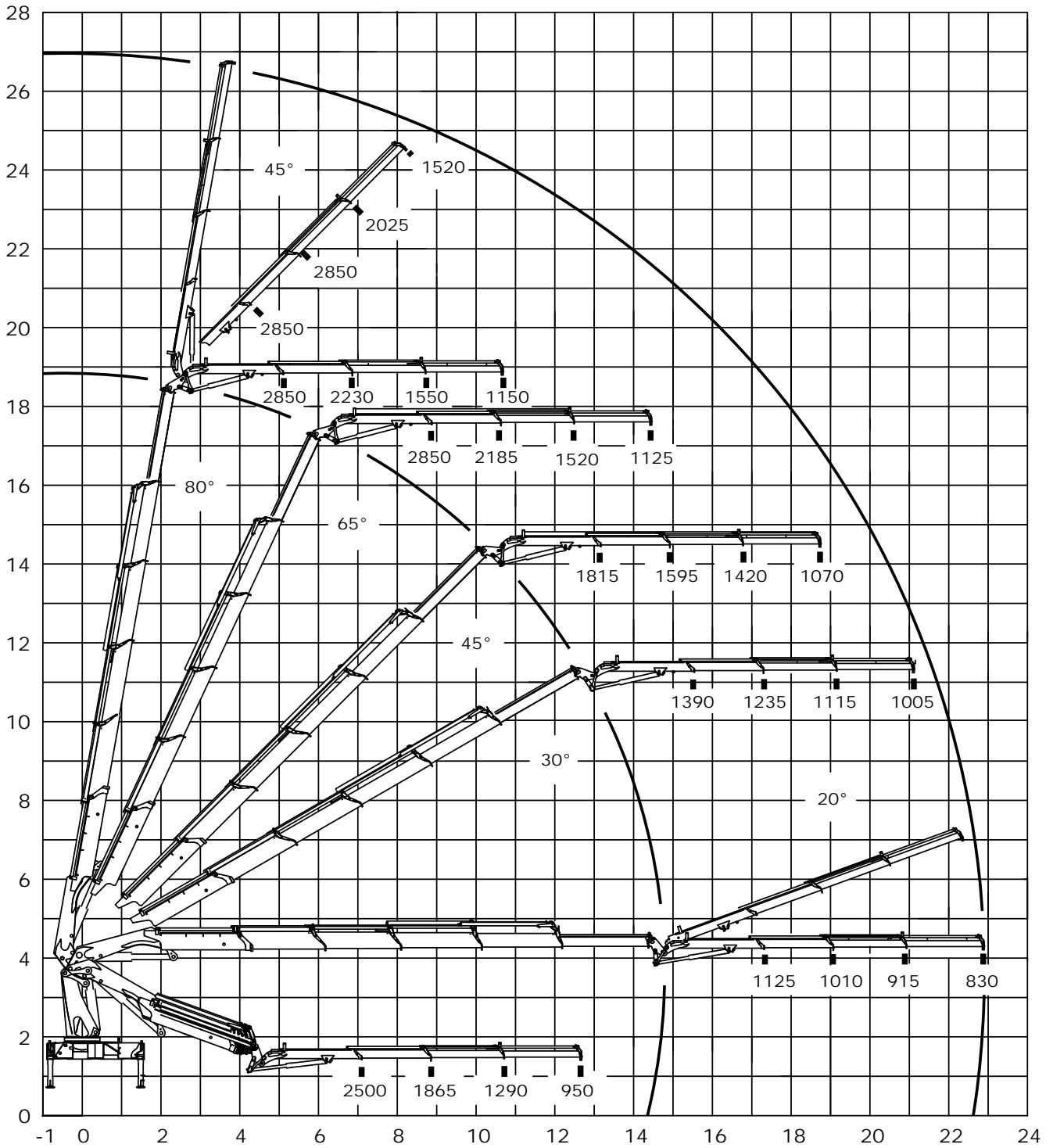
Catalogue no.	Section
31 108	251
Date	Page
05-04-2017	1 (1)





## Lifting capacity diagram, 4020-K5 with FJ1000 K3

Catalogue no.	Section
31 108	252
Date	Page
05-04-2017	1 (1)

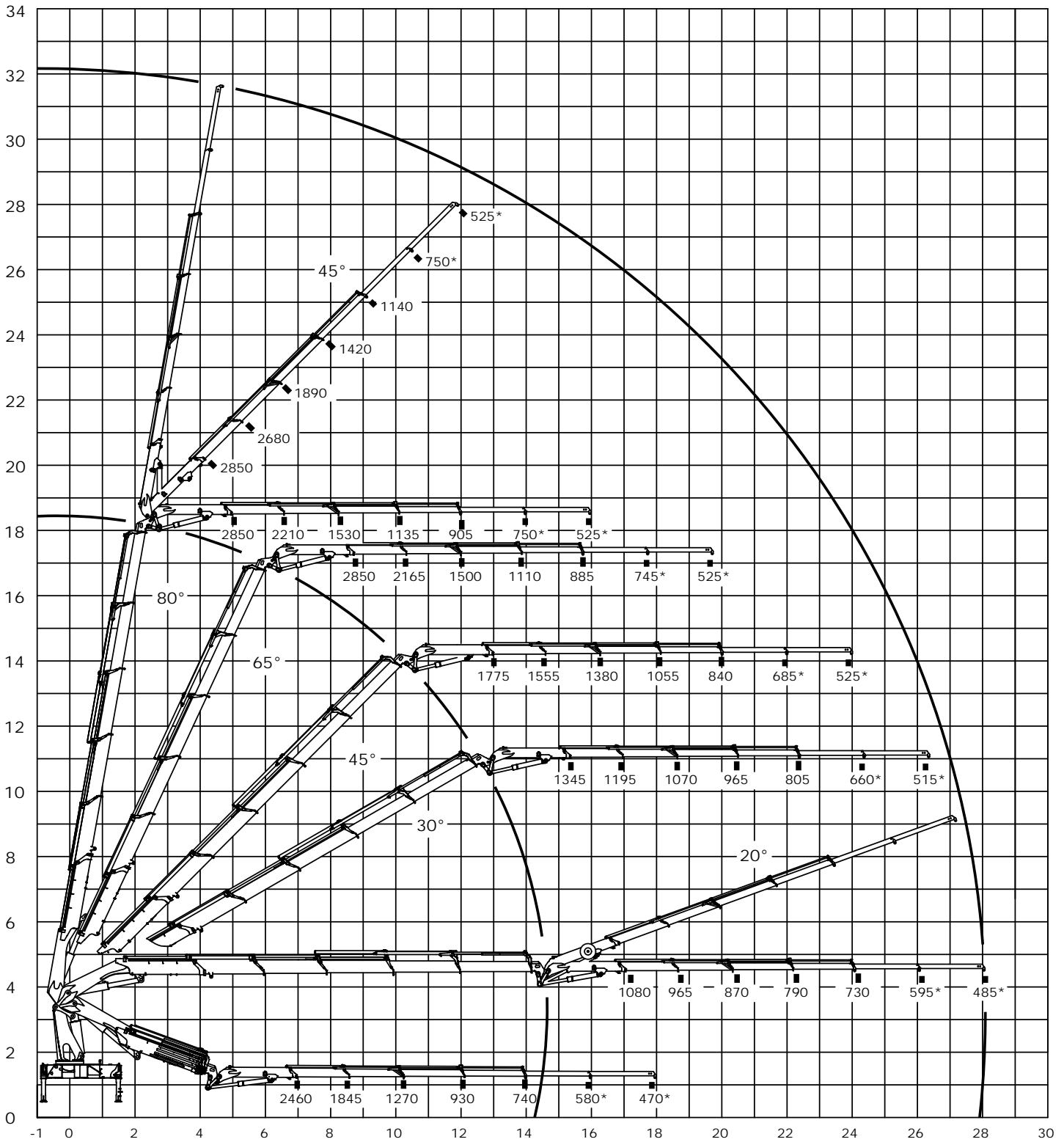


# Technical Information 4020-K



## Lifting capacity diagram, 4020-K5 with FJ1000 K4

Catalogue no.	Section
31 108	253
Date	Page
28-03-2012	1 (1)



\* With manual extension.

- power to lift. -

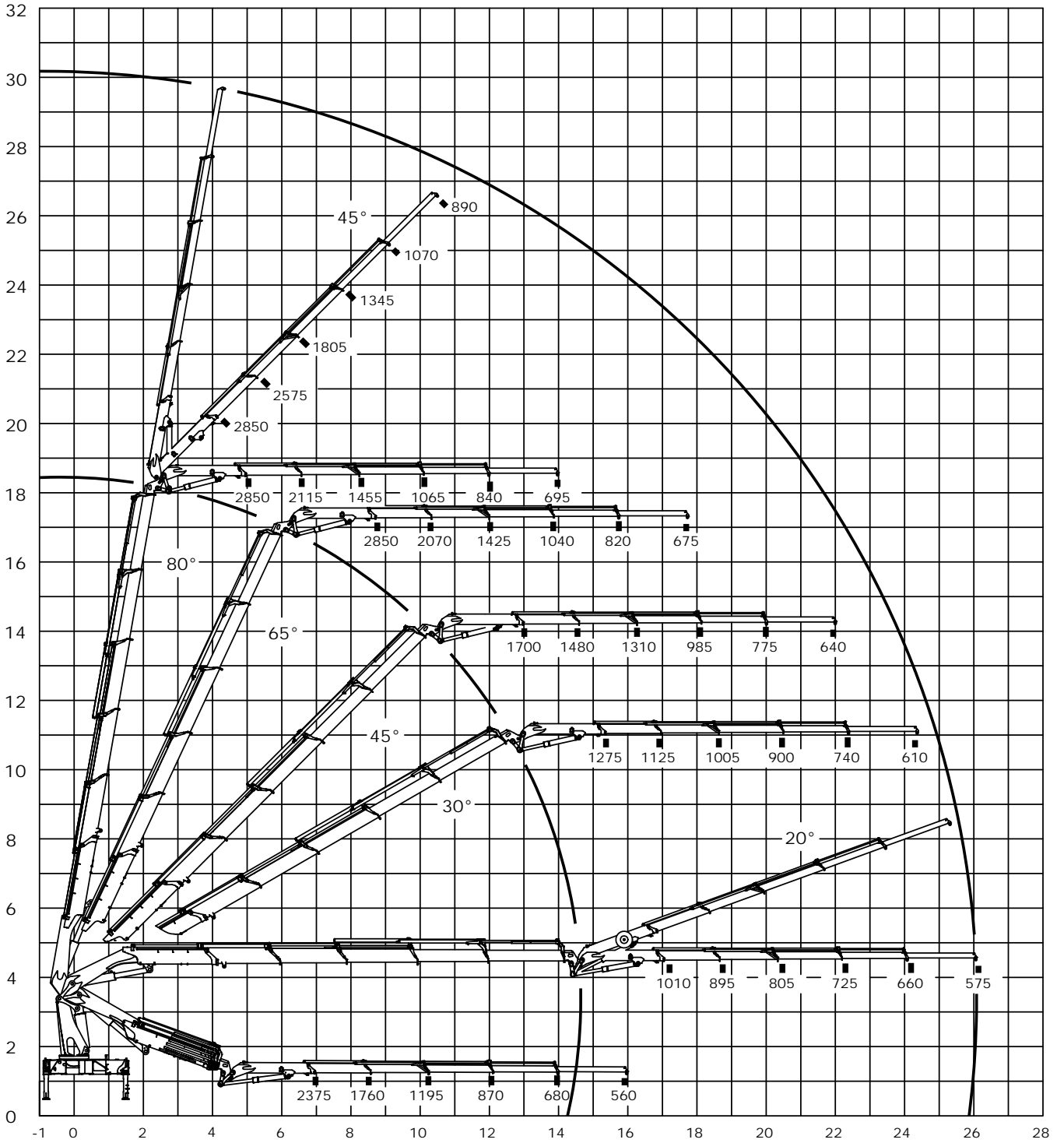


# Technical Information 4020-K



## Lifting capacity diagram, 4020-K5 with FJ1000 K5

Catalogue no.	Section
31 108	254
Date	Page
28-03-2012	1 (1)

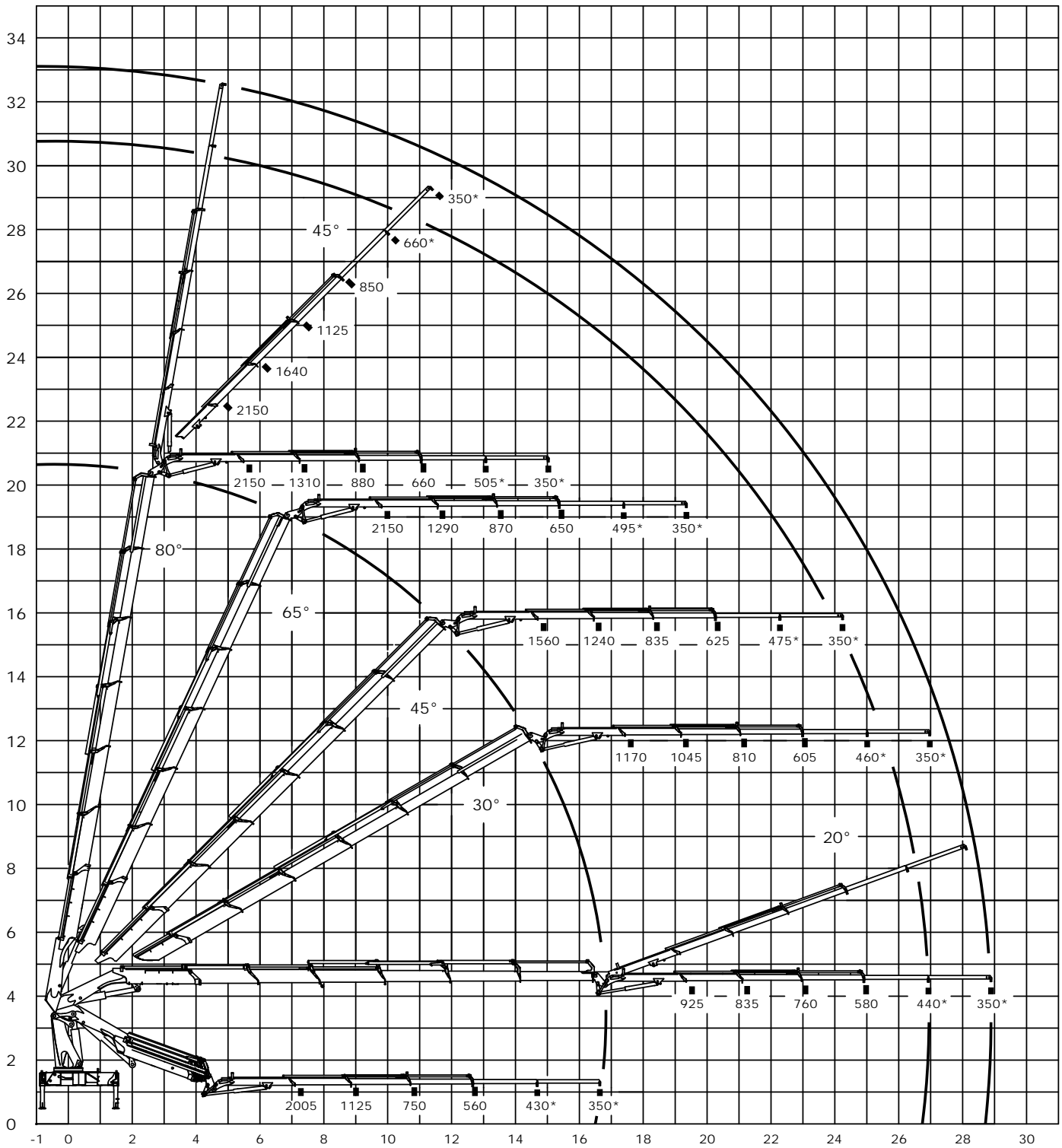


# Technical Information 4020-K



## Lifting capacity diagram, 4020-K6 with FJ600 K3

Catalogue no.	Section
31 108	255
Date	Page
28-03-2012	1 (1)

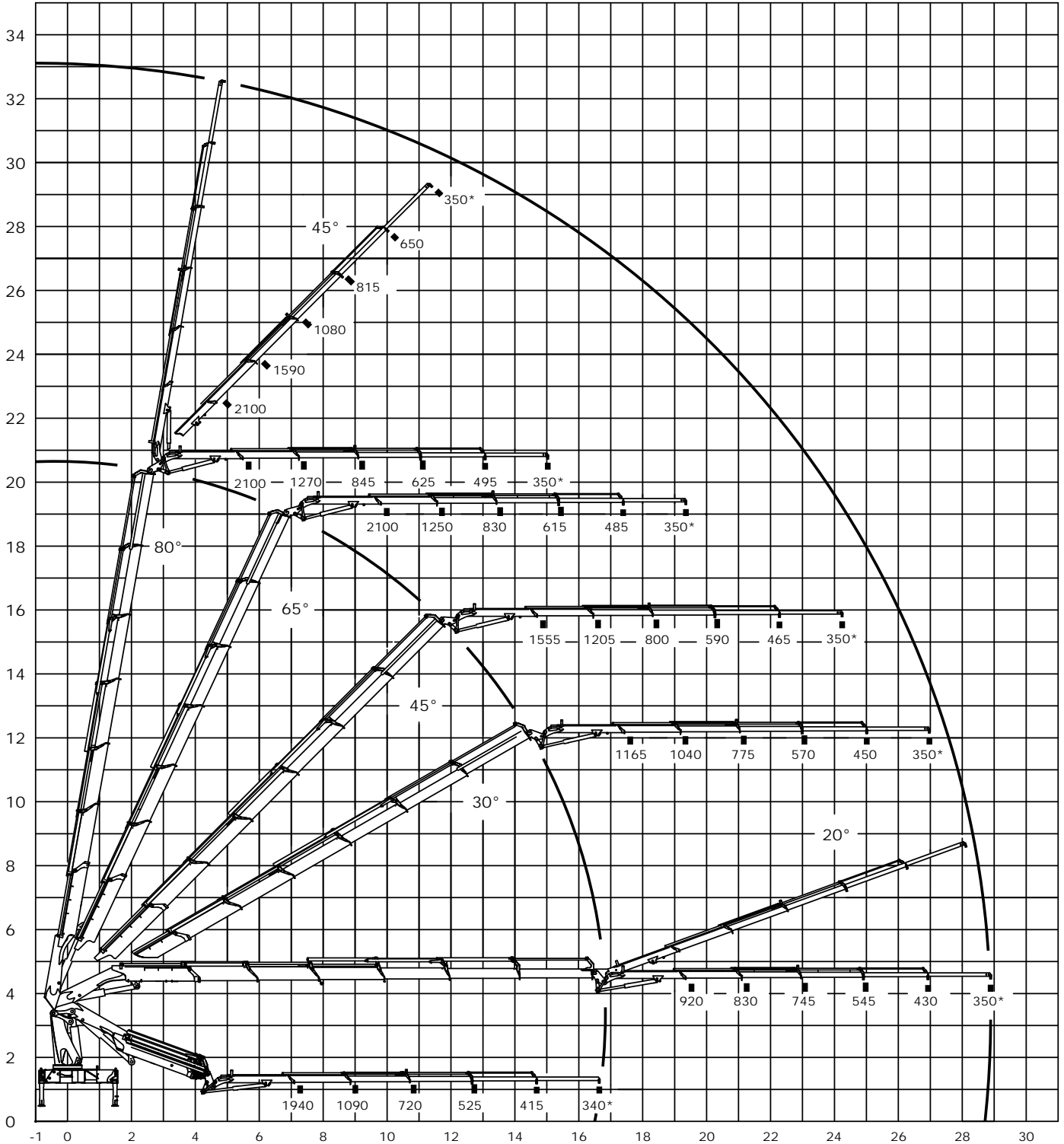


\* With manual extension.



## Lifting capacity diagram, 4020-K6 with FJ600 K4

Catalogue no.	Section
31 108	256
Date	Page
26-03-2012	1 (1)



\* With manual extension.

