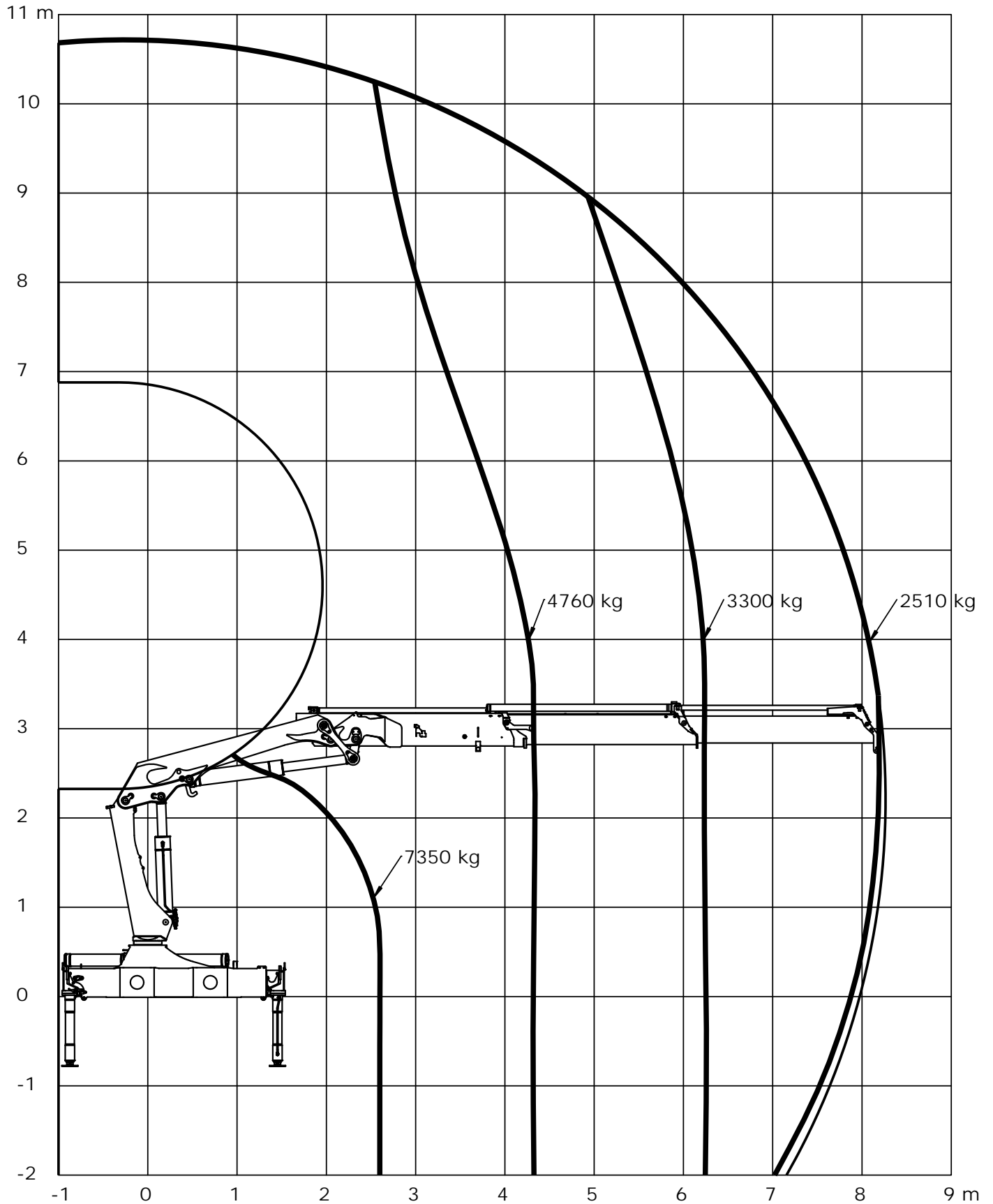


## Lifting capacity diagram, K2

Catalogue no.	Section
31 128	222
Date	Page
31-08-2018	1 (1)

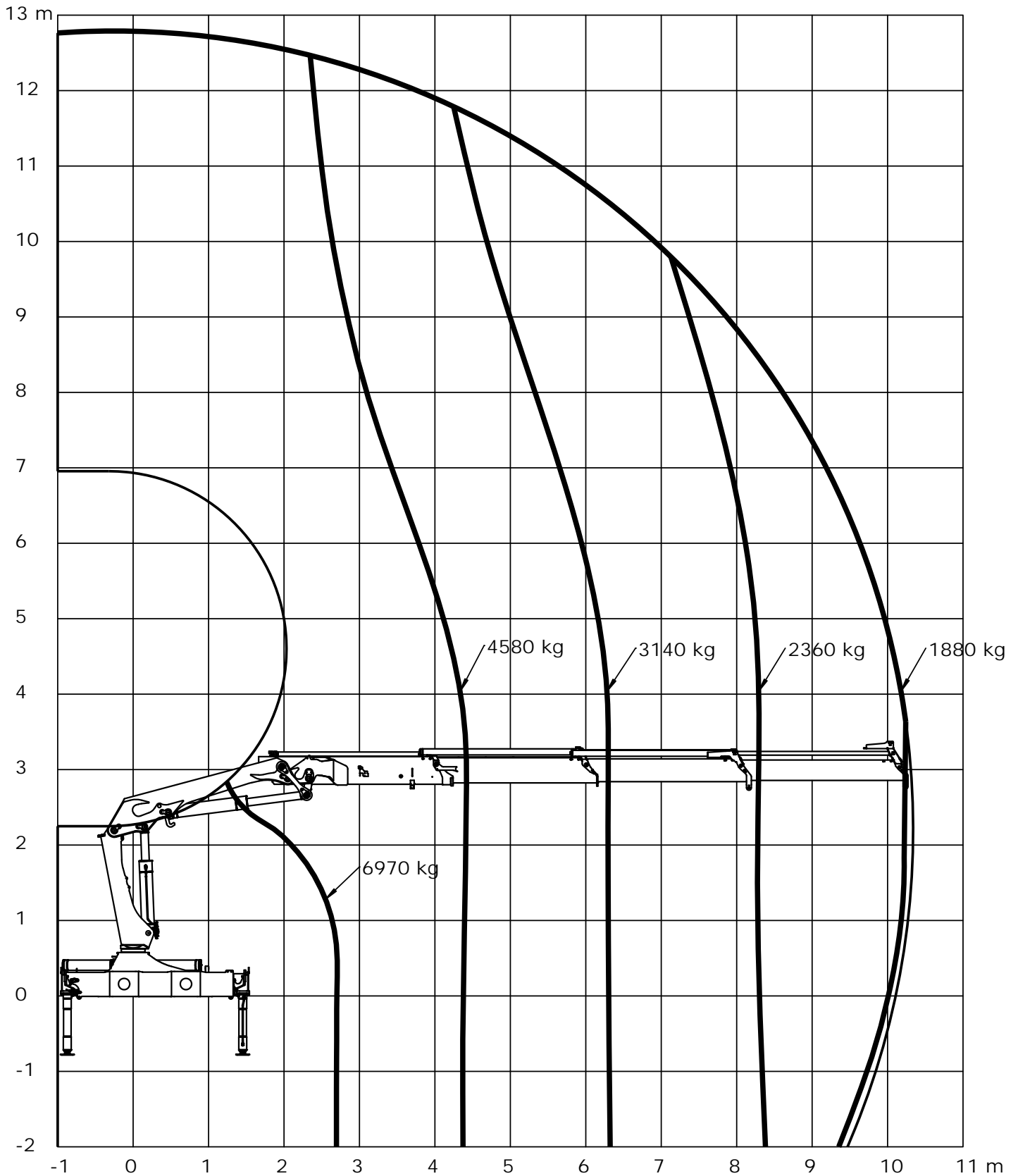


Loading group: EN12999 H1/B3



## Lifting capacity diagram, K3

Catalogue no.	Section
31 128	223
Date	Page
31-08-2018	1 (1)

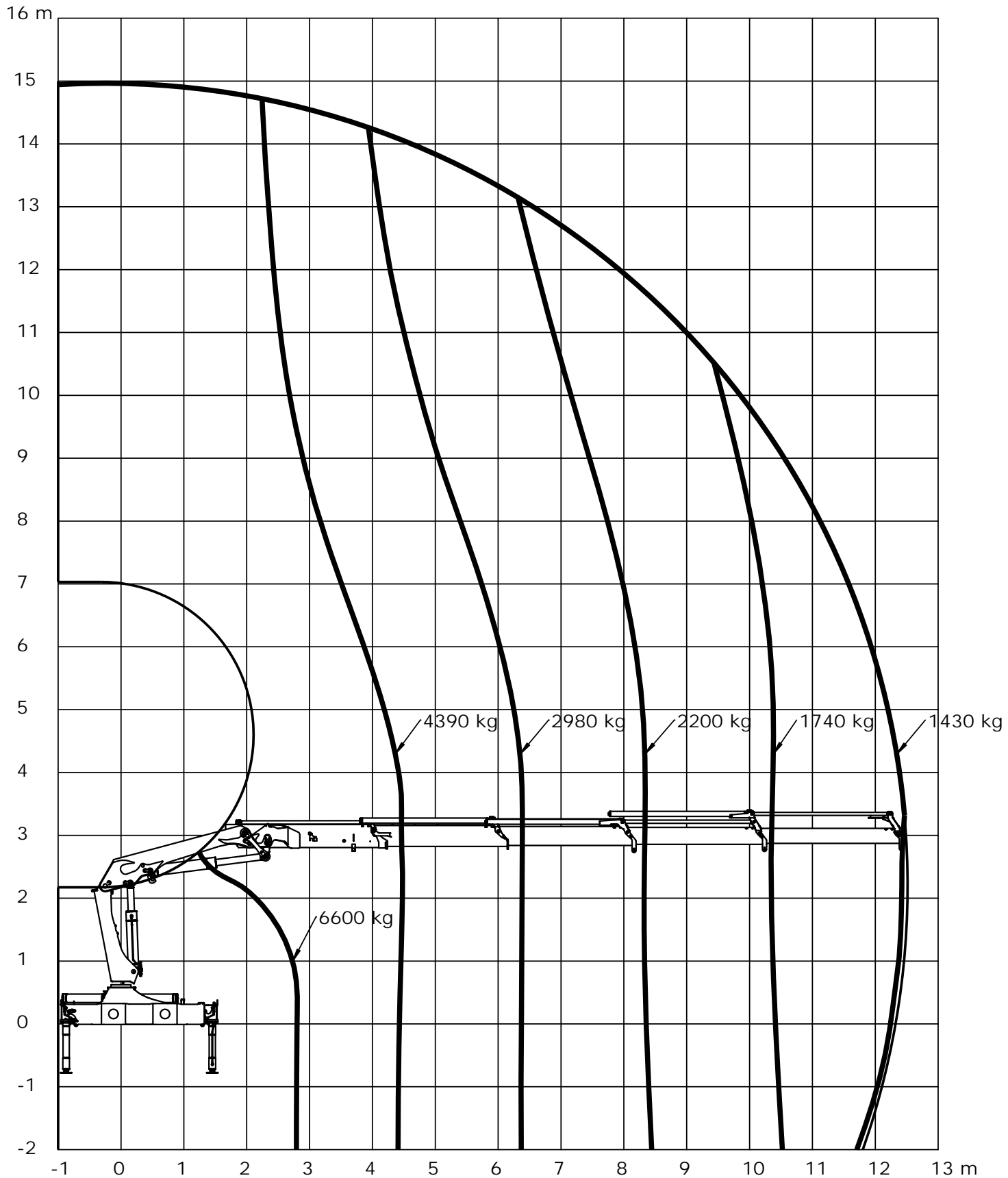


Loading group: EN12999 H1/B3



## Lifting capacity diagram, K4

Catalogue no.	Section
31 128	224
Date	Page
31-08-2018	1 (1)

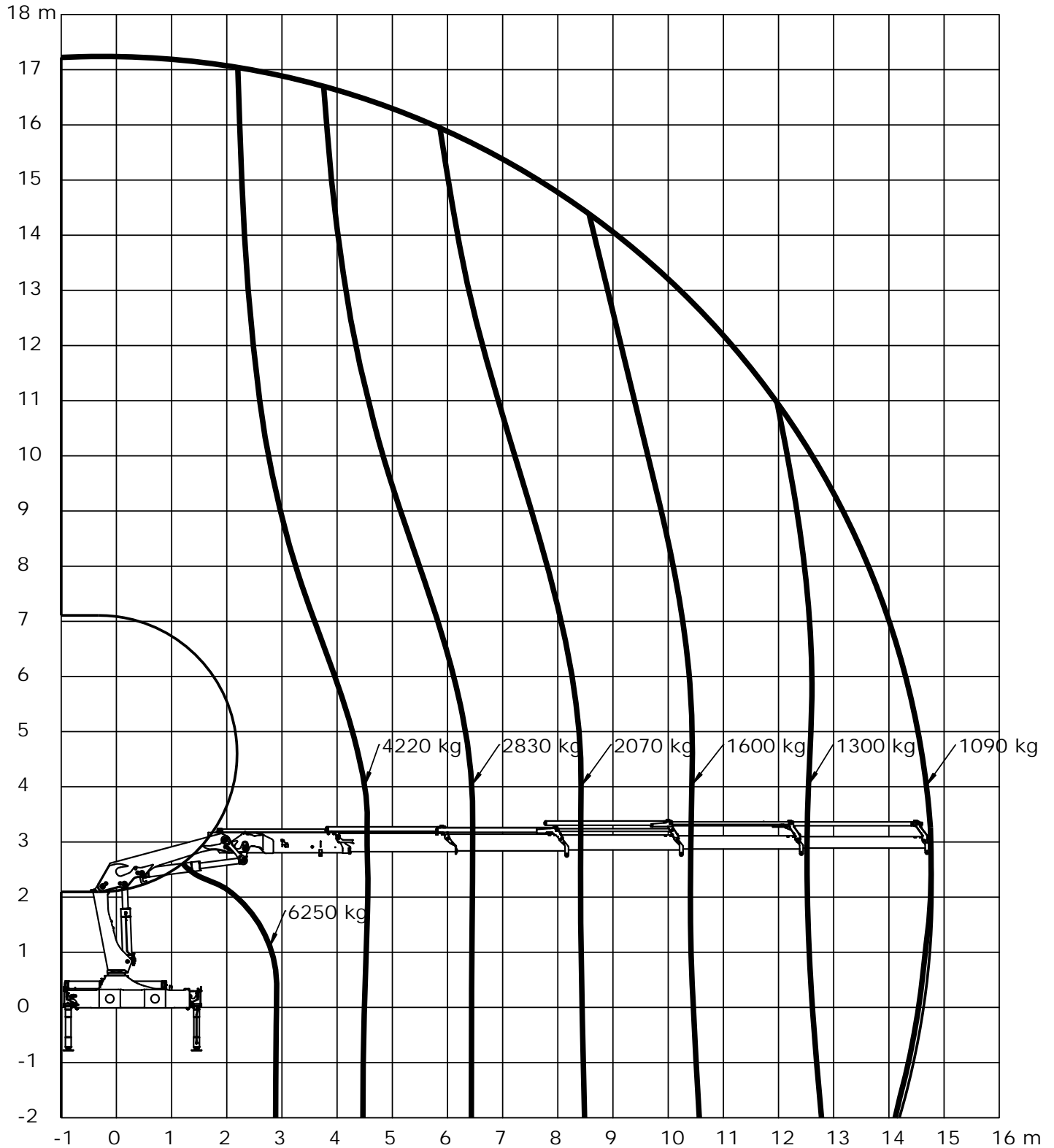


Loading group: EN12999 H1/B3



## Lifting capacity diagram, K5

Catalogue no.	Section
31 128	225
Date	Page
31-08-2018	1 (1)

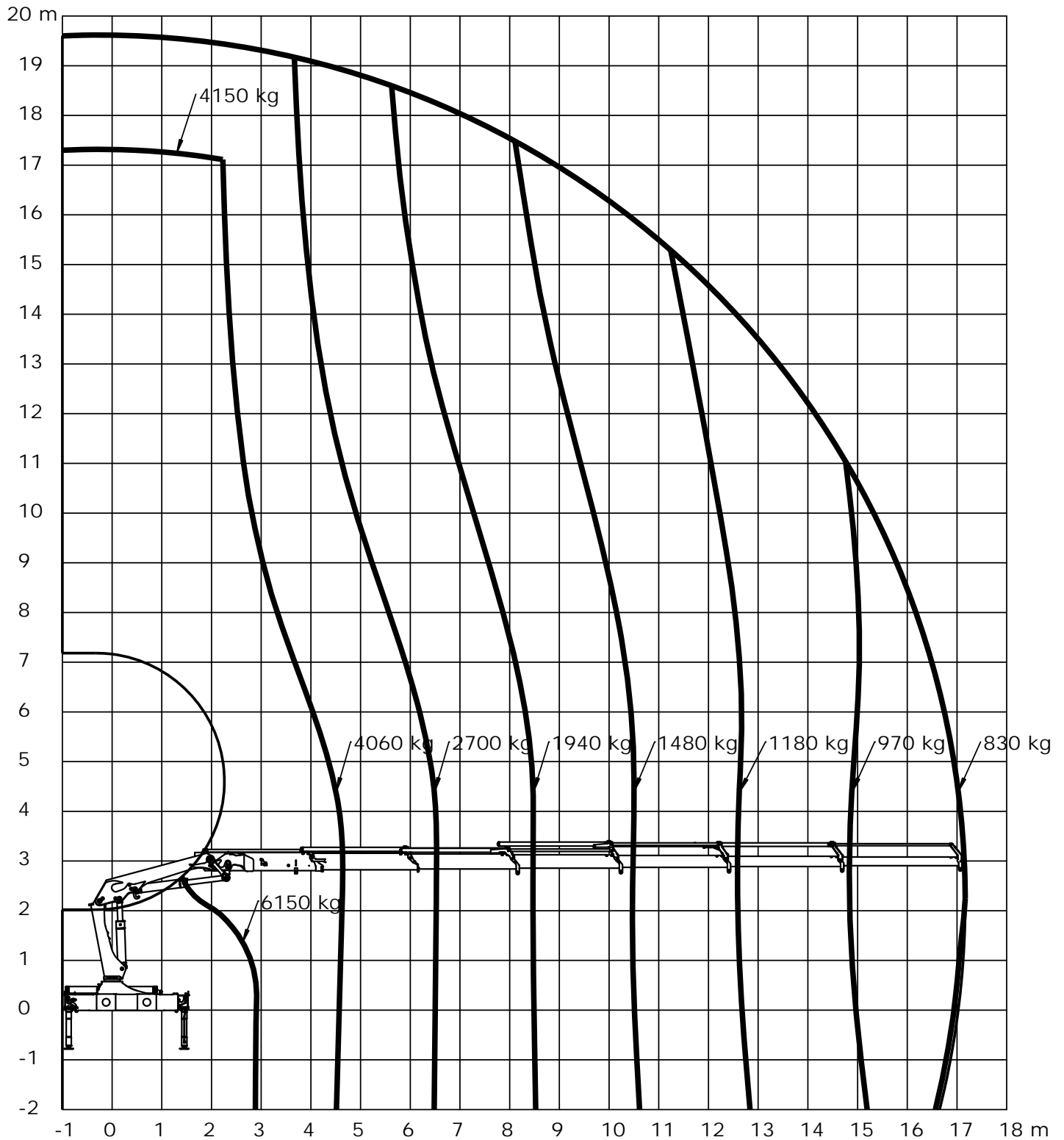


Loading group: EN12999 H1/B3



## Lifting capacity diagram, K6

Catalogue no.	Section
31 128	226
Date	Page
31-08-2018	1 (1)

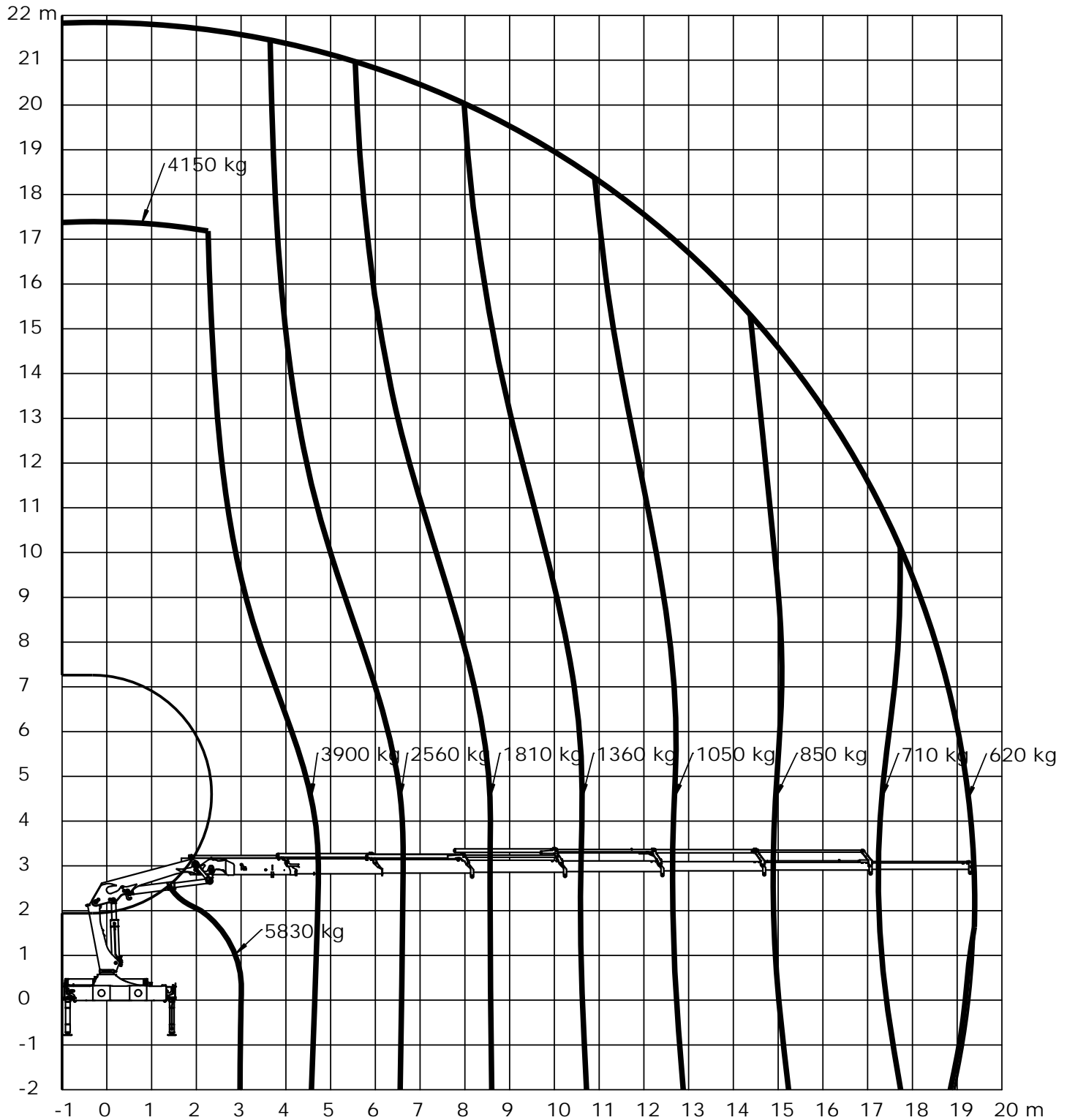


Loading group: EN12999 H1/B3



## Lifting capacity diagram, K7

Catalogue no.	Section
31 128	227
Date	Page
31-08-2018	1 (1)

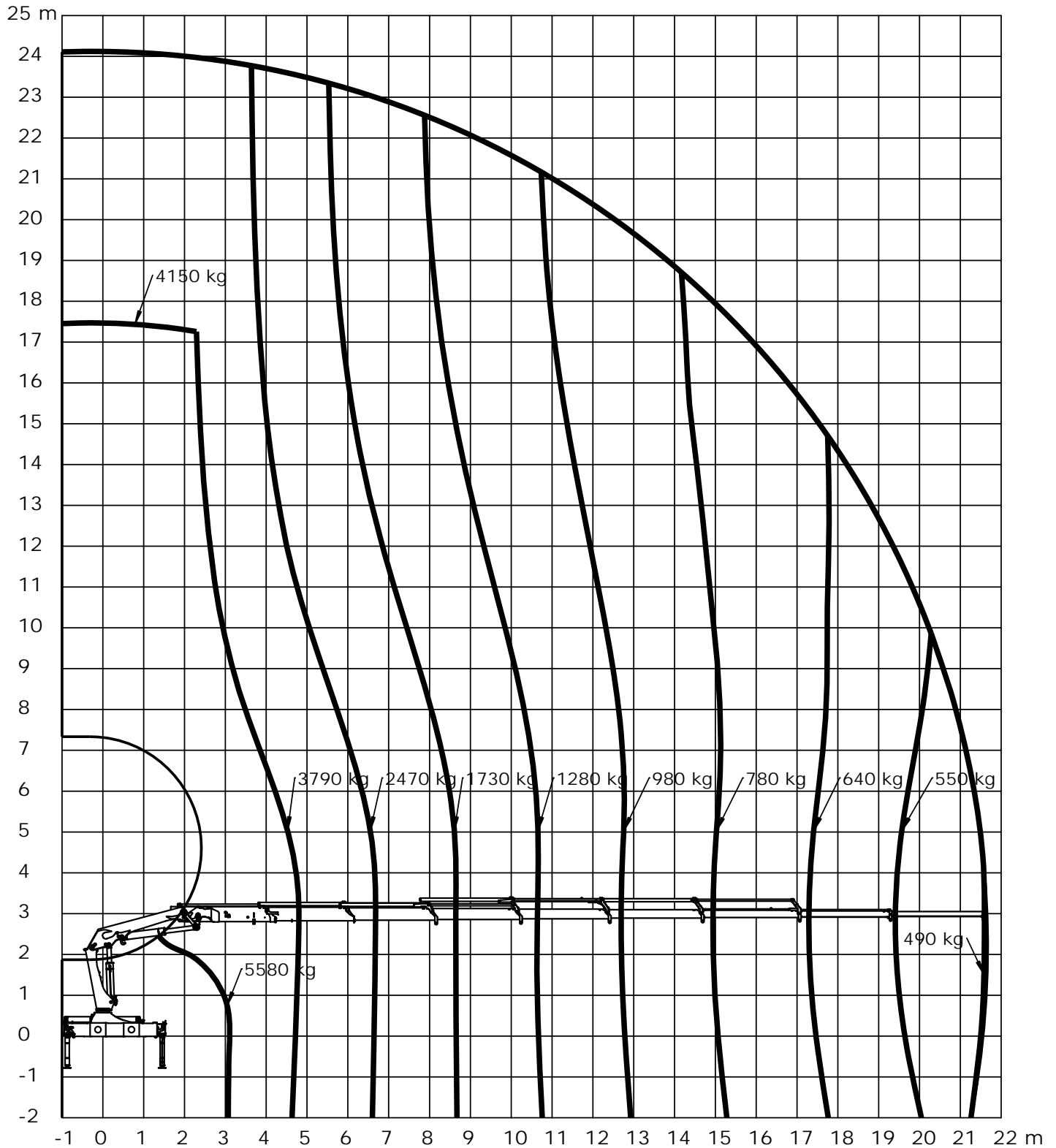


Loading group: EN12999 H1/B3



## Lifting capacity diagram, K8

Catalogue no.	Section
31 128	228
Date	Page
31-08-2018	1 (1)



Loading group: EN12999 H1/B3

